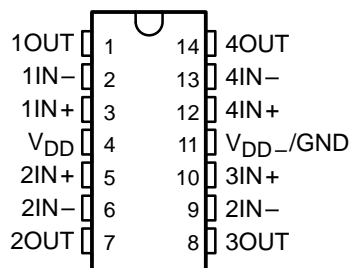


TLC254, TLC254A, TLC254B, TLC254Y, TLC25L4, TLC25L4A, TLC25L4B TLC25L4Y, TLC25M4, TLC25M4A, TLC25M4B, TLC25M4Y LinCMOS™ QUAD OPERATIONAL AMPLIFIERS

SLOS003G – JUNE 1983 – REVISED MARCH 2001

- A-Suffix Versions Offer 5-mV V_{IO}
- B-Suffix Versions Offer 2-mV V_{IO}
- Wide Range of Supply Voltages
1.4 V to 16 V
- True Single-Supply Operation
- Common-Mode Input Voltage Includes the Negative Rail
- Low Noise . . . 25 nV/ $\sqrt{\text{Hz}}$ Typ at $f = 1$ kHz (High-Bias Version)

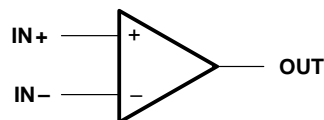
D, N, OR PW PACKAGE
(TOP VIEW)



description

The TLC254, TLC254A, TLC254B, TLC25L4, TLC25L4A, TLC25L4B, TLC25M4, TLC25M4A and TLC25M4B are low-cost, low-power quad operational amplifiers designed to operate with single or dual supplies. These devices utilize the Texas Instruments silicon gate LinCMOS™

symbol (each amplifier)



process, giving them stable input-offset voltages that are available in selected grades of 2, 5, or 10 mV maximum, very high input impedances, and extremely low input offset and bias currents. Because the input common-mode range extends to the negative rail and the power consumption is extremely low, this series is ideally suited for battery-powered or energy-conserving applications. The series offers operation down to a 1.4-V supply, is stable at unity gain, and has excellent noise characteristics.

These devices have internal electrostatic-discharge (ESD) protection circuits that prevent catastrophic failures at voltages up to 2000 V as tested under MIL-STD-883C, Method 3015.1. However, care should be exercised in handling these devices as exposure to ESD may result in degradation of the device parametric performance.

Because of the extremely high input impedance and low input bias and offset currents, applications for these devices include many areas that have previously been limited to BIFET and NFET product types. Any circuit using high-impedance elements and requiring small offset errors is a good candidate for cost-effective use of these devices. Many features associated with bipolar technology are available with LinCMOS operational amplifiers without the power penalties of traditional bipolar devices.

Available options

| T _A | V _{IO} max AT 25°C | PACKAGED DEVICES | | | CHIP FORM (Y) |
|----------------|--------------------------------|----------------------|--------------------|---------------|------------------|
| | | SMALL OUTLINE (D) | PLASTIC DIP (N) | TSSOP (PW) | |
| 0°C to 70°C | 10 mV | TLC254CD | TLC254CN | TLC254CPW | TLC254Y |
| | 5 mV | TLC254ACD | TLC254ACN | — | — |
| | 2 mV | TLC254BCD | TLC254BCN | — | — |
| | 10 mV | TLC25L4CD | TLC25L4CN | TLC25L4CPW | TLC25L4Y |
| | 5 mV | TLC25L4ACD | TLC25L4ACN | — | — |
| | 2 mV | TLC25L2BCD | TLC25L4BCN | — | — |
| | 10 mV | TLC25M4CD | TLC25M4CN | TLC25M4CPW | TLC25M4Y |
| | 5 mV | TLC25M4ACD | TLC25M4ACN | — | — |
| | 2 mV | TLC25M4BCD | TLC25M4BCN | — | — |

The D package is available taped and reeled. Add the suffix R to the device type (e.g., TLC254CDR). Chips are tested at 25°C.

LinCMOS is a trademark of Texas Instruments.

PRODUCTION DATA information is current as of publication date. Products conform to specifications per the terms of Texas Instruments standard warranty. Production processing does not necessarily include testing of all parameters.



POST OFFICE BOX 655303 • DALLAS, TEXAS 75265

Copyright © 2001, Texas Instruments Incorporated

**TLC254, TLC254A, TLC254B, TLC254Y, TLC25L4, TLC25L4A, TLC25L4B
TLC25L4Y, TLC25M4, TLC25M4A, TLC25M4B, TLC25M4Y
LinCMOS™ QUAD OPERATIONAL AMPLIFIERS**

SLOS003G – JUNE 1983 – REVISED MARCH 2001

description (continued)

General applications such as transducer interfacing, analog calculations, amplifier blocks, active filters, and signal buffering are all easily designed with these devices. Remote and inaccessible equipment applications are possible using their low-voltage and low-power capabilities. These devices are well suited to solve the difficult problems associated with single-battery and solar-cell-powered applications. This series includes devices that are characterized for the commercial temperature range and are available in 14-pin plastic dip and the small-outline packages. The device is also available in chip form.

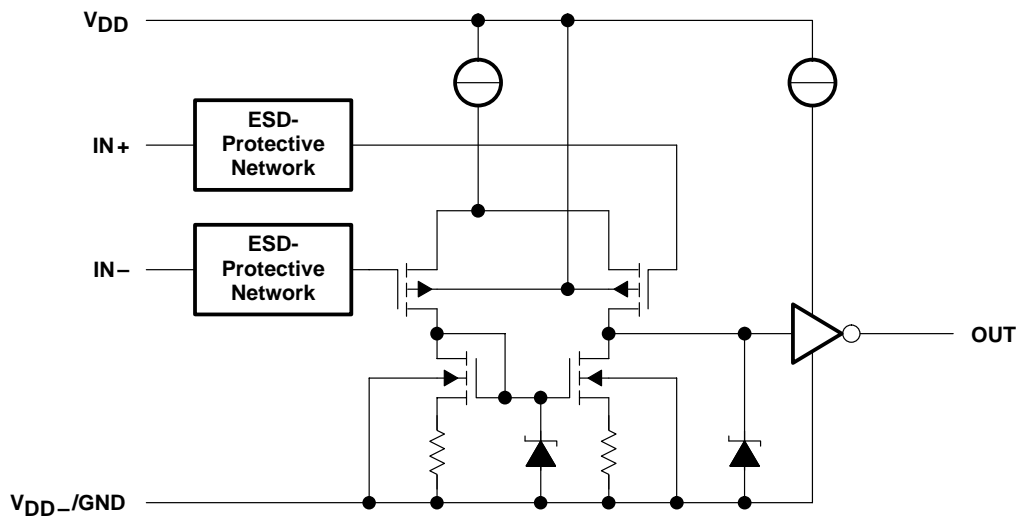
These devices are characterized for operation from 0°C to 70°C.

DEVICE FEATURES

| PARAMETER | TLC25L4_C (LOW BIAS) | TLC25M4_C (MEDIUM BIAS) | TLC254_C (HIGH BIAS) |
|---|-------------------------|----------------------------|-------------------------|
| Supply current (Typ) | 40 μ A | 600 μ A | 4000 μ A |
| Slew rate (Typ) | 0.04 V/ μ A | 0.6 V/ μ A | 4.5 V/ μ A |
| Input offset voltage (Max) TLC254C, TLC25L4C, TLC25M4C TLC254AC, TLC25L4AC, TLC25M4AC TLC254BC, TLC25L4BC, TLC25M4BC | 10 mV 5 mV 2 mV | 10 mV 5 mV 2 mV | 10 mV 5 mV 2 mV |
| Offset voltage drift (Typ) | 0.1 μ V/month† | 0.1 μ V/month† | 0.1 μ V/month† |
| Offset voltage temperature coefficient (Typ) | 0.7 μ V/°C | 2 μ V/°C | 5 μ V/°C |
| Input bias current (Typ) | 1 pA | 1 pA | 1 pA |
| Input offset current (Typ) | 1 pA | 1 pA | 1 pA |

† The long-term drift value applies after the first month.

equivalent schematic (each amplifier)

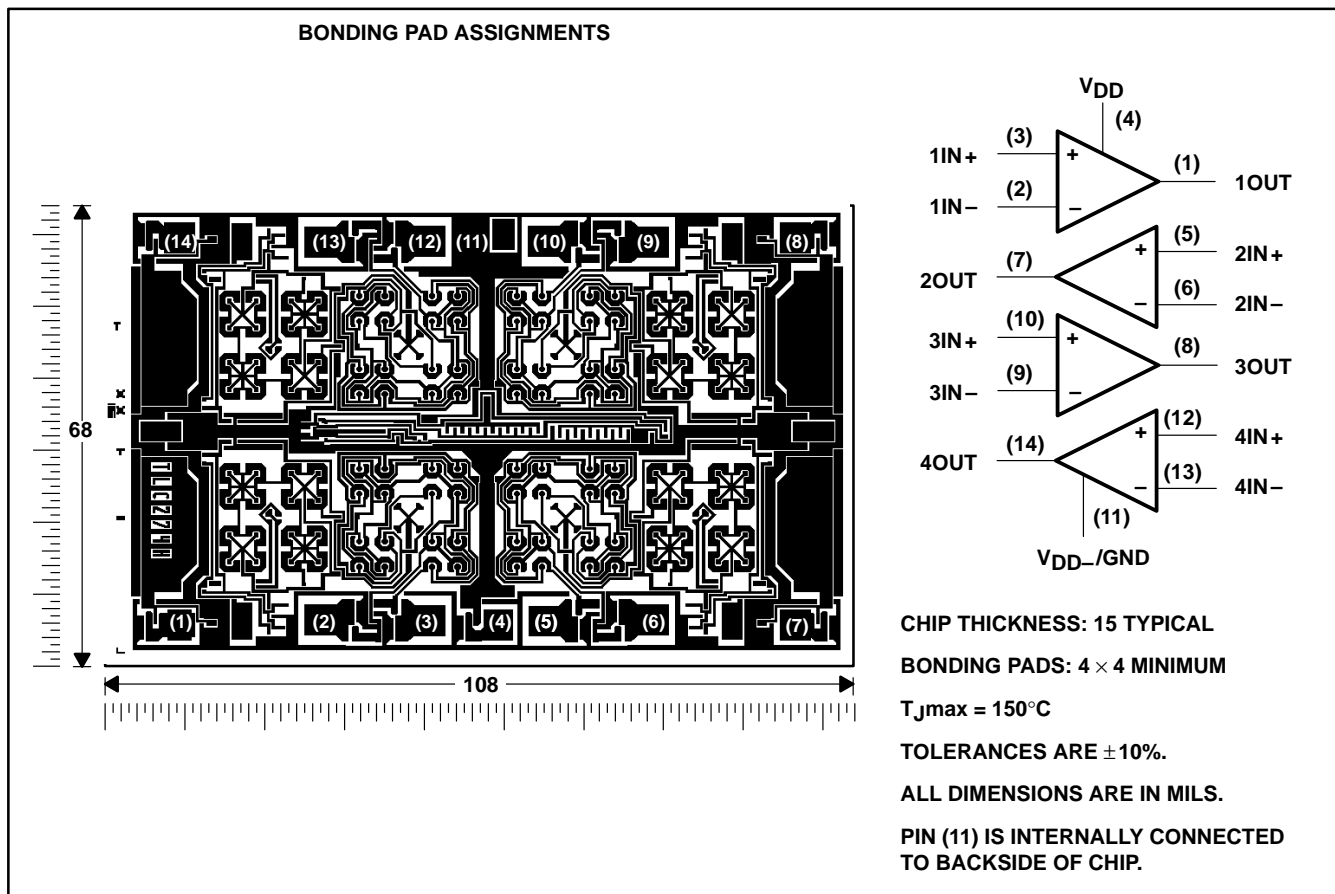


TLC254, TLC254A, TLC254B, TLC254Y, TLC25L4, TLC25L4A, TLC25L4B
 TLC25L4Y, TLC25M4, TLC25M4A, TLC25M4B, TLC25M4Y
 LinCMOS™ QUAD OPERATIONAL AMPLIFIERS

SLOS003G – JUNE 1983 – REVISED MARCH 2001

chip information

These chips, when properly assembled, display characteristics similar to the TLC25_4C. Thermal compression or ultrasonic bonding may be used on the doped-aluminum bonding pads. Chips may be mounted with conductive epoxy or a gold-silicon preform.



**TLC254, TLC254A, TLC254B, TLC254Y, TLC25L4, TLC25L4A, TLC25L4B
TLC25L4Y, TLC25M4, TLC25M4A, TLC25M4B, TLC25M4Y
LinCMOS™ QUAD OPERATIONAL AMPLIFIERS**

SLOS003G – JUNE 1983 – REVISED MARCH 2001

absolute maximum ratings over operating free-air temperature range (unless otherwise noted)†

| | |
|--|------------------------------|
| Supply voltage, V_{DD} (see Note 1) | 18 V |
| Differential input voltage (see Note 2) | ± 18 V |
| Input voltage range (any input) | -0.3 V to 18 V |
| Duration of short-circuit at (or below) 25°C free-air temperature (see Note 3) | unlimited |
| Continuous total dissipation | See Dissipation Rating Table |
| Operating free-air temperature range | 0°C to 70°C |
| Storage temperature range | -65°C to 150°C |
| Lead temperature 1,6 mm (1/16 inch) from case for 10 seconds | 260°C |

† Stresses beyond those listed under “absolute maximum ratings” may cause permanent damage to the device. These are stress ratings only, and functional operation of the device at these or any other conditions beyond those indicated under “recommended operating conditions” is not implied. Exposure to absolute-maximum-rated conditions for extended periods may affect device reliability.

- NOTES: 1. All voltage values, except differential voltages, are with respect to V_{DD-}/GND .
 2. Differential voltages are at $IN+$, with respect to $IN-$.
 3. The output may be shorted to either supply. Temperature and/or supply voltages must be limited to ensure the maximum dissipation rating is not exceeded.

DISSIPATION RATING TABLE

| PACKAGE | $T_A \leq 25^\circ\text{C}$ POWER RATING | DERATING FACTOR ABOVE $T_A = 25^\circ\text{C}$ | $T_A = 70^\circ\text{C}$ POWER RATING |
|---------|---|---|--|
| D | 725 mW | 5.8 mW/°C | 464 mW |
| N | 1050 mW | 9.2 mW/°C | 736 mW |
| PW | 700 mW | 5.6 mW/°C | 448 mW |

recommended operating conditions

| | | MIN | MAX | UNIT |
|---------------------------------------|------------------|------|-----|------|
| Supply voltage, V_{DD} | | 1.4 | 16 | V |
| Common-mode input voltage, V_{IC} | $V_{DD} = 1.4$ V | 0 | 0.2 | V |
| | $V_{DD} = 5$ V | -0.2 | 4 | |
| | $V_{DD} = 10$ V | -0.2 | 9 | |
| | $V_{DD} = 16$ V | -0.2 | 14 | |
| Operating free-air temperature, T_A | | 0 | 70 | °C |



electrical characteristics at specified free-air temperature, $V_{DD} = 1.4\text{ V}$ (unless otherwise noted)

| PARAMETER | | TEST CONDITION† | T_A | TLC254_C | | | TLC25L4_C | | | TLC25M4_C | | | UNIT |
|-----------|---|---|--------------|----------|-----|-----|-----------|-----|-----|-----------|-----|------------------------------|---------------|
| | | | | MIN | TYP | MAX | MIN | TYP | MAX | MIN | TYP | MAX | |
| V_{IO} | Input offset voltage | $V_O = 0.2\text{ V}, R_S = 50\ \Omega$ | 25°C | | | 10 | | | 10 | | | 10 | mV |
| | | | 0°C to 70°C | | | 12 | | | 12 | | | 12 | |
| | | | 25°C | | | 5 | | | 5 | | | 5 | |
| | | | 0°C to 70°C | | | 6.5 | | | 6.5 | | | 6.5 | |
| | | | 25°C | | | 2 | | | 2 | | | 2 | |
| | | | 0°C to 70°C | | | 3 | | | 3 | | | 3 | |
| a_{VIO} | Average temperature coefficient of input offset voltage | | 25°C to 70°C | | 1 | | | 1 | | | 1 | $\mu\text{V}/^\circ\text{C}$ | |
| I_{IO} | Input offset current | $V_O = 0.2\text{ V}$ | 25°C | | 1 | 60 | | 1 | 60 | | 1 | 60 | pA |
| | | | 0°C to 70°C | | | 300 | | | 300 | | | 300 | |
| I_{IB} | Input bias current | $V_O = 0.2\text{ V}$ | 25°C | | 1 | 60 | | 1 | 60 | | 1 | 60 | pA |
| | | | 0°C to 70°C | | | 600 | | | 600 | | | 600 | |
| V_{ICR} | Common-mode input voltage range | | 25°C | 0 to 0.2 | | | 0 to 0.2 | | | 0 to 0.2 | | V | |
| V_{OM} | Peak output voltage swing‡ | $V_{ID} = 100\text{ mV}$ | 25°C | 450 | 700 | | 450 | 700 | | 450 | 700 | mV | |
| A_{VD} | Large-signal differential voltage amplification | $V_O = 100\text{ to }300\text{ mV}, R_S = 50\ \Omega$ | 25°C | | 10 | | | 20 | | | 20 | V/mV | |
| CMRR | Common-mode rejection ratio | $V_O = 0.2\text{ V}, V_{IC} = V_{ICRmin}$ | 25°C | 60 | 77 | | 60 | 77 | | 60 | 77 | dB | |
| I_{DD} | Supply current | $V_O = 0.2\text{ V}, \text{ No load}$ | 25°C | | 600 | 750 | | 50 | 68 | | 400 | 500 | μA |

† All characteristics are measured under open-loop conditions with zero common-mode input voltage unless otherwise specified. Unless otherwise noted, an output load resistor is connected from the output to ground and has the following value: for low bias, $R_L = 1\text{ M}\Omega$, for medium bias $R_L = 100\text{ k}\Omega$, and for high bias $R_L = 10\text{ k}\Omega$.

‡ The output swings to the potential of V_{DD-}/GND .

operating characteristics, $V_{DD} = 1.4\text{ V}, T_A = 25^\circ\text{C}$

| PARAMETER | | TEST CONDITIONS | TLC254_C | | | TLC25L4_C | | | TLC25M4_C | | | UNIT |
|-----------|-------------------------|--|----------|-----|-----|-----------|-------|-----|-----------|------|-----|------------------|
| | | | MIN | TYP | MAX | MIN | TYP | MAX | MIN | TYP | MAX | |
| SR | Slew rate at unity gain | See Figure 1 | | 0.1 | | | 0.001 | | | 0.01 | | V/ μs |
| B_1 | Unity-gain bandwidth | $A_V = 40\text{ dB}, R_S = 50\ \Omega, C_L = 10\text{ pF}, \text{ See Figure 1}$ | | 12 | | | 12 | | | 12 | | kHz |
| | Overshoot factor | See Figure 1 | | 30% | | | 35% | | | 35% | | |

**TLC254, TLC254A, TLC254B, TLC254Y, TLC25L4, TLC25L4A, TLC25L4B
TLC25L4Y, TLC25M4, TLC25M4A, TLC25M4B, TLC25M4Y
LinCMOS™ QUAD OPERATIONAL AMPLIFIERS**

SLOS003G – JUNE 1983 – REVISED MARCH 2001

electrical characteristics at specified free-air temperature, $V_{DD} = 5\text{ V}$ (unless otherwise noted)

| PARAMETER | | TEST CONDITIONS | | T_A † | TLC254, TLC254AC, TLC254BC | | | UNIT |
|----------------|--|---------------------------------------|--|--|-------------------------------|-------------------|------------------------------|------|
| | | | | | MIN | TYP | MAX | |
| V_{IO} | Input offset voltage | TLC254C | $V_O = 1.4\text{ V},$ $R_S = 50\ \Omega,$ | $V_{IC} = 0,$ $R_L = 10\text{ k}\Omega$ | 25°C | 1.1 | 10 | mV |
| | | | | | Full range | | 12 | |
| | | TLC254AC | $V_O = 1.4\text{ V},$ $R_S = 50\ \Omega,$ | $V_{IC} = 0,$ $R_L = 10\text{ k}\Omega$ | 25°C | 0.9 | 5 | |
| | | | | | Full range | | 6.5 | |
| | | TLC254BC | $V_O = 1.4\text{ V},$ $R_S = 50\ \Omega,$ | $V_{IC} = 0,$ $R_L = 10\text{ k}\Omega$ | 25°C | 0.34 | 2 | |
| | | | | | Full range | | 3 | |
| α_{VIO} | Average temperature coefficient of input offset voltage | | | 25°C to 70°C | 1.8 | | $\mu\text{V}/^\circ\text{C}$ | |
| I_{IO} | Input offset current (see Note 4) | $V_O = 2.5\text{ V},$ | $V_{IC} = 2.5\text{ V}$ | 25°C | 0.1 | 60 | pA | |
| | | | | 70°C | 7 | 300 | | |
| I_{IB} | Input bias current (see Note 4) | $V_O = 2.5\text{ V},$ | $V_{IC} = 2.5\text{ V}$ | 25°C | 0.6 | 60 | pA | |
| | | | | 70°C | 40 | 600 | | |
| V_{ICR} | Common-mode input voltage range (see Note 5) | | | 25°C | -0.2 to 4 | -0.3 to 4.2 | V | |
| | | | | Full range | -0.2 to 3.5 | | | |
| V_{OH} | High-level output voltage | $V_{ID} = 100\text{ mV},$ | $R_L = 10\text{ k}\Omega$ | 0°C | 3 | 3.8 | V | |
| | | | | 25°C | 3.2 | 3.8 | | |
| | | | | 70°C | 3 | 3.8 | | |
| V_{OL} | Low-level output voltage | $V_{ID} = -100\text{ mV},$ | $I_{OL} = 0$ | 0°C | 0 | 50 | mV | |
| | | | | 25°C | 0 | 50 | | |
| | | | | 70°C | 0 | 50 | | |
| A_{VD} | Large-signal differential voltage amplification | $V_O = 0.25\text{ V to }2\text{ V},$ | $R_L = 10\text{ k}\Omega$ | 0°C | 4 | 27 | V/mV | |
| | | | | 25°C | 5 | 23 | | |
| | | | | 70°C | 4 | 20 | | |
| CMRR | Common-mode rejection ratio | $V_{IC} = V_{ICRmin}$ | | 0°C | 60 | 84 | dB | |
| | | | | 25°C | 65 | 80 | | |
| | | | | 70°C | 60 | 85 | | |
| k_{SVR} | Supply-voltage rejection ratio ($\Delta V_{DD}/\Delta V_{IO}$) | $V_{DD} = 5\text{ V to }10\text{ V},$ | $V_O = 1.4\text{ V}$ | 0°C | 60 | 94 | dB | |
| | | | | 25°C | 65 | 95 | | |
| | | | | 70°C | 60 | 96 | | |
| I_{DD} | Supply current (four amplifiers) | $V_O = 2.5\text{ V},$ No load | $V_{IC} = 2.5\text{ V},$ | 0°C | 3.1 | 7.2 | mA | |
| | | | | 25°C | 2.7 | 6.4 | | |
| | | | | 70°C | 2.3 | 5.2 | | |

† Full range is 0°C to 70°C.

NOTES: 4. The typical values of input bias current and input offset current below 5 pA were determined mathematically.

5. This range also applies to each input individually.



**TLC254, TLC254A, TLC254B, TLC254Y, TLC25L4, TLC25L4A, TLC25L4B
TLC25L4Y, TLC25M4, TLC25M4A, TLC25M4B, TLC25M4Y
LinCMOS™ QUAD OPERATIONAL AMPLIFIERS**

SLOS003G – JUNE 1983 – REVISED MARCH 2001

electrical characteristics at specified free-air temperature, $V_{DD} = 10\text{ V}$ (unless otherwise noted)

| PARAMETER | | TEST CONDITIONS | | T_A † | TLC254C, TLC254AC, TLC254BC | | | UNIT |
|------------------|--|--|--|---|--------------------------------|-------------|------------------------------|------|
| | | | | | MIN | TYP | MAX | |
| V_{IO} | Input offset voltage | TLC254C | $V_O = 1.4\text{ V}$, $R_S = 50\ \Omega$, | $V_{IC} = 0$, $R_L = 10\text{ k}\Omega$ | 25°C | 1.1 | 10 | mV |
| | | | | | Full range | | 12 | |
| | | TLC254AC | $V_O = 1.4\text{ V}$, $R_S = 50\ \Omega$, | $V_{IC} = 0$, $R_L = 10\text{ k}\Omega$ | 25°C | 0.9 | 5 | |
| | | | | | Full range | | 6.5 | |
| | | TLC254BC | $V_O = 1.4\text{ V}$, $R_S = 50\ \Omega$, | $V_{IC} = 0$, $R_L = 10\text{ k}\Omega$ | 25°C | 0.39 | 2 | |
| | | | | | Full range | | 3 | |
| ϵ_{VIO} | Average temperature coefficient of input offset voltage | | | 25°C to 70°C | 2 | | $\mu\text{V}/^\circ\text{C}$ | |
| I_{IO} | Input offset current (see Note 4) | $V_O = 5\text{ V}$, | $V_{IC} = 5\text{ V}$ | 25°C | 0.1 | 60 | pA | |
| | | | | 70°C | 7 | 300 | | |
| I_{IB} | Input bias current (see Note 4) | $V_O = 5\text{ V}$, | $V_{IC} = 5\text{ V}$ | 25°C | 0.7 | 60 | pA | |
| | | | | 70°C | 50 | 600 | | |
| V_{ICR} | Common-mode input voltage range (see Note 5) | | | 25°C | -0.2 to 9 | -0.3 to 9.2 | V | |
| | | | | Full range | -0.2 to 8.5 | | | |
| V_{OH} | High-level output voltage | $V_{ID} = 100\text{ mV}$, | $R_L = 10\text{ k}\Omega$ | 0°C | 7.8 | 8.5 | V | |
| | | | | 25°C | 8 | 8.5 | | |
| | | | | 70°C | 7.8 | 8.4 | | |
| V_{OL} | Low-level output voltage | $V_{ID} = -100\text{ mV}$, | $I_{OL} = 0$ | 0°C | 0 | 50 | mV | |
| | | | | 25°C | 0 | 50 | | |
| | | | | 70°C | 0 | 50 | | |
| A_{VD} | Large-signal differential voltage amplification | $V_O = 1\text{ V to }6\text{ V}$, | $R_L = 10\text{ k}\Omega$ | 0°C | 7.5 | 42 | V/mV | |
| | | | | 25°C | 10 | 36 | | |
| | | | | 70°C | 7.5 | 32 | | |
| CMRR | Common-mode rejection ratio | $V_{IC} = V_{ICRmin}$ | | 0°C | 60 | 88 | dB | |
| | | | | 25°C | 65 | 85 | | |
| | | | | 70°C | 60 | 88 | | |
| k_{SVR} | Supply-voltage rejection ratio ($\Delta V_{DD}/\Delta V_{IO}$) | $V_{DD} = 5\text{ V to }10\text{ V}$, | $V_O = 1.4\text{ V}$ | 0°C | 60 | 94 | dB | |
| | | | | 25°C | 65 | 95 | | |
| | | | | 70°C | 60 | 96 | | |
| I_{DD} | Supply current (four amplifiers) | $V_O = 5\text{ V}$, No load | $V_{IC} = 5\text{ V}$, | 0°C | 4.5 | 8.8 | mA | |
| | | | | 25°C | 3.8 | 8 | | |
| | | | | 70°C | 3.2 | 6.8 | | |

† Full range is 0°C to 70°C.

NOTES: 4. The typical values of input bias current and input offset current below 5 pA were determined mathematically.

5. This range also applies to each input individually.



**TLC254, TLC254A, TLC254B, TLC254Y, TLC25L4, TLC25L4A, TLC25L4B
TLC25L4Y, TLC25M4, TLC25M4A, TLC25M4B, TLC25M4Y
LinCMOS™ QUAD OPERATIONAL AMPLIFIERS**

SLOS003G – JUNE 1983 – REVISED MARCH 2001

operating characteristics, $V_{DD} = 5\text{ V}$

| PARAMETER | TEST CONDITIONS | T_A | TLC254C, TLC254AC, TLC254BC | | | UNIT |
|--|---|--------------------------|--------------------------------|-----|------------------------|------------|
| | | | MIN | TYP | MAX | |
| SR Slew rate at unity gain | $R_L = 10\text{ k}\Omega$, See Figure 1 $C_L = 20\text{ pF}$ | $V_{I(PP)} = 1\text{ V}$ | 0°C | 4 | | V/ μ s |
| | | | 25°C | 3.6 | | |
| | | $V_{I(PP)} = 1\text{ V}$ | 70°C | 3 | | |
| | | | $V_{I(PP)} = 2.5\text{ V}$ | 0°C | 3.1 | |
| | | 25°C | | 2.9 | | |
| | | 70°C | | 2.5 | | |
| V_n Equivalent input noise voltage | $f = 1\text{ kHz}$, $R_S = 20\ \Omega$, See Figure 2 | 25°C | 25 | | nV/ $\sqrt{\text{Hz}}$ | |
| B _{OM} Maximum output-swing bandwidth | $V_O = V_{OH}$, See Figure 1 $C_L = 20\text{ pF}$, $R_L = 10\text{ k}\Omega$ | 0°C | 340 | | kHz | |
| | | 25°C | 320 | | | |
| | | 70°C | 260 | | | |
| B ₁ Unity-gain bandwidth | $V_I = 10\text{ mV}$, $C_L = 20\text{ pF}$, See Figure 1 | 0°C | 2 | | MHz | |
| | | 25°C | 1.7 | | | |
| | | 70°C | 1.3 | | | |
| ϕ_m Phase margin | $V_I = 10\text{ mV}$, See Figure 3 $f = B_1$, $C_L = 20\text{ pF}$ | 0°C | 47° | | | |
| | | 25°C | 46° | | | |
| | | 70°C | 43° | | | |

operating characteristics, $V_{DD} = 10\text{ V}$

| PARAMETER | TEST CONDITIONS | T_A | TLC254C, TLC254AC, TLC254BC | | | UNIT |
|--|---|----------------------------|--------------------------------|-----|------------------------|------------|
| | | | MIN | TYP | MAX | |
| SR Slew rate at unity gain | $R_L = 10\text{ k}\Omega$, See Figure 1 $C_L = 20\text{ pF}$ | $V_{I(PP)} = 1\text{ V}$ | 0°C | 5.9 | | V/ μ s |
| | | | 25°C | 5.3 | | |
| | | | 70°C | 4.3 | | |
| | | $V_{I(PP)} = 5.5\text{ V}$ | 0°C | 5.1 | | |
| | | | 25°C | 4.6 | | |
| | | | 70°C | 3.8 | | |
| V_n Equivalent input noise voltage | $f = 1\text{ kHz}$, $R_S = 20\ \Omega$, See Figure 2 | 25°C | 25 | | nV/ $\sqrt{\text{Hz}}$ | |
| B _{OM} Maximum output-swing bandwidth | $V_O = V_{OH}$, See Figure 1 $C_L = 20\text{ pF}$, $R_L = 10\text{ k}\Omega$ | 0°C | 220 | | kHz | |
| | | 25°C | 200 | | | |
| | | 70°C | 140 | | | |
| B ₁ Unity-gain bandwidth | $V_I = 10\text{ mV}$, $C_L = 20\text{ pF}$, See Figure 1 | 0°C | 2.5 | | MHz | |
| | | 25°C | 2.2 | | | |
| | | 70°C | 1.8 | | | |
| ϕ_m Phase margin | $V_I = 10\text{ mV}$, See Figure 3 $f = B_1$, $C_L = 20\text{ pF}$ | 0°C | 50° | | | |
| | | 25°C | 49° | | | |
| | | 70°C | 46° | | | |



**TLC254, TLC254A, TLC254B, TLC254Y, TLC25L4, TLC25L4A, TLC25L4B
TLC25L4Y, TLC25M4, TLC25M4A, TLC25M4B, TLC25M4Y
LinCMOS™ QUAD OPERATIONAL AMPLIFIERS**

SLOS003G – JUNE 1983 – REVISED MARCH 2001

electrical characteristics at specified free-air temperature, $V_{DD} = 5\text{ V}$ (unless otherwise noted)

| PARAMETER | | TEST CONDITIONS | | T_A^\dagger | TLC25L4C TLC25L4AC TLC25L4BC | | | UNIT |
|-----------------|--|--|--|---|------------------------------------|-------------------|------------------------------|------|
| | | | | | MIN | TYP | MAX | |
| V_{IO} | Input offset voltage | TLC25L4C | $V_O = 1.4\text{ V},$ $R_S = 50\ \Omega,$ | $V_{IC} = 0,$ $R_L = 1\text{ M}\Omega$ | 25°C | 1.1 | 10 | mV |
| | | | | | Full range | | 12 | |
| | | TLC25L4AC | $V_O = 1.4\text{ V},$ $R_S = 50\ \Omega,$ | $V_{IC} = 0,$ $R_L = 1\text{ M}\Omega$ | 25°C | 0.9 | 5 | |
| | | | | | Full range | | 6.5 | |
| | | TLC25L4BC | $V_O = 1.4\text{ V},$ $R_S = 50\ \Omega,$ | $V_{IC} = 0,$ $R_L = 1\text{ M}\Omega$ | 25°C | 0.24 | 2 | |
| | | | | | Full range | | 3 | |
| ∞V_{IO} | Average temperature coefficient of input offset voltage | | | 25°C to 70°C | 1.1 | | $\mu\text{V}/^\circ\text{C}$ | |
| I_{IO} | Input offset current (see Note 4) | $V_O = 2.5\text{ V},$ | $V_{IC} = 2.5\text{ V}$ | 25°C | 0.1 | 60 | pA | |
| | | | | 70°C | 7 | 300 | | |
| I_{IB} | Input bias current (see Note 4) | $V_O = 2.5\text{ V},$ | $V_{IC} = 2.5\text{ V}$ | 25°C | 0.6 | 60 | pA | |
| | | | | 70°C | 40 | 600 | | |
| V_{ICR} | Common-mode input voltage range (see Note 5) | | | 25°C | -0.2 to 4 | -0.3 to 4.2 | V | |
| | | | | Full range | -0.2 to 3.5 | | V | |
| V_{OH} | High-level output voltage | $V_{ID} = 100\text{ mV},$ | $R_L = 1\text{ M}\Omega$ | 0°C | 3 | 4.1 | V | |
| | | | | 25°C | 3.2 | 4.1 | | |
| | | | | 70°C | 3 | 4.2 | | |
| V_{OL} | Low-level output voltage | $V_{ID} = -100\text{ mV},$ | $I_{OL} = 0$ | 0°C | 0 | 50 | mV | |
| | | | | 25°C | 0 | 50 | | |
| | | | | 70°C | 0 | 50 | | |
| A_{VD} | Large-signal differential voltage amplification | $V_O = 0.25\text{ V to } 2\text{ V},$ $R_L = 1\text{ M}\Omega$ | | 0°C | 50 | 680 | V/mV | |
| | | | | 25°C | 50 | 520 | | |
| | | | | 70°C | 50 | 380 | | |
| CMRR | Common-mode rejection ratio | $V_{IC} = V_{ICRmin}$ | | 0°C | 60 | 95 | dB | |
| | | | | 25°C | 65 | 94 | | |
| | | | | 70°C | 60 | 95 | | |
| k_{SVR} | Supply-voltage rejection ratio ($\Delta V_{DD}/\Delta V_{IO}$) | $V_{DD} = 5\text{ V to } 10\text{ V},$ $V_O = 1.4\text{ V}$ | | 0°C | 60 | 97 | dB | |
| | | | | 25°C | 70 | 98 | | |
| | | | | 70°C | 60 | 97 | | |
| I_{DD} | Supply current (four amplifiers) | $V_O = 2.5\text{ V},$ No load | $V_{IC} = 2.5\text{ V},$ | 0°C | 48 | 84 | μA | |
| | | | | 25°C | 40 | 68 | | |
| | | | | 70°C | 31 | 56 | | |

† Full range is 0°C to 70°C.

NOTES: 4. The typical values of input bias current and input offset current below 5 pA were determined mathematically.

5. This range also applies to each input individually.



**TLC254, TLC254A, TLC254B, TLC254Y, TLC25L4, TLC25L4A, TLC25L4B
TLC25L4Y, TLC25M4, TLC25M4A, TLC25M4B, TLC25M4Y
LinCMOS™ QUAD OPERATIONAL AMPLIFIERS**

SLOS003G – JUNE 1983 – REVISED MARCH 2001

electrical characteristics at specified free-air temperature, $V_{DD} = 10\text{ V}$ (unless otherwise noted)

| PARAMETER | | TEST CONDITIONS | T_A † | TLC25L4C TLC25L4AC TLC25L4BC | | | UNIT |
|----------------|--|---|--|------------------------------------|-------------|------------------------------|---------------|
| | | | | MIN | TYP | MAX | |
| V_{IO} | Input offset voltage | TLC25L4C $V_O = 1.4\text{ V}$, $R_S = 50\ \Omega$, | $V_{IC} = 0$, $R_L = 1\text{ M}\Omega$ | 25°C | 1.1 | 10 | mV |
| | | | | Full range | | 12 | |
| | | TLC25L4AC $V_O = 1.4\text{ V}$, $R_S = 50\ \Omega$, | $V_{IC} = 0$, $R_L = 1\text{ M}\Omega$ | 25°C | 0.9 | 5 | |
| | | | | Full range | | 6.5 | |
| | | TLC25L4BC $V_O = 1.4\text{ V}$, $R_S = 50\ \Omega$, | $V_{IC} = 0$, $R_L = 1\text{ M}\Omega$ | 25°C | 0.26 | 2 | |
| | | | | Full range | | 3 | |
| α_{VIO} | Average temperature coefficient of input offset voltage | | 25°C to 70°C | 1 | | $\mu\text{V}/^\circ\text{C}$ | |
| I_{IO} | Input offset current (see Note 4) | $V_O = 5\text{ V}$, | $V_{IC} = 5\text{ V}$ | 25°C | 0.1 | 60 | pA |
| | | | | 70°C | 7 | 300 | |
| I_{IB} | Input bias current (see Note 4) | $V_O = 5\text{ V}$, | $V_{IC} = 5\text{ V}$ | 25°C | 0.7 | 60 | pA |
| | | | | 70°C | 50 | 600 | |
| V_{ICR} | Common-mode input voltage range (see Note 5) | | | 25°C | -0.2 to 9 | -0.3 to 9.2 | V |
| | | | | Full range | -0.2 to 8.5 | | V |
| V_{OH} | High-level output voltage | $V_{ID} = 100\text{ mV}$, | $R_L = 1\text{ M}\Omega$ | 0°C | 7.8 | 8.9 | V |
| | | | | 25°C | 8 | 8.9 | |
| | | | | 70°C | 7.8 | 8.9 | |
| V_{OL} | Low-level output voltage | $V_{ID} = -100\text{ mV}$, | $I_{OL} = 0$ | 0°C | 0 | 50 | mV |
| | | | | 25°C | 0 | 50 | |
| | | | | 70°C | 0 | 50 | |
| A_{VD} | Large-signal differential voltage amplification | $V_O = 1\text{ V to }6\text{ V}$, | $R_L = 1\text{ M}\Omega$ | 0°C | 50 | 1025 | V/mV |
| | | | | 25°C | 50 | 870 | |
| | | | | 70°C | 50 | 660 | |
| CMRR | Common-mode rejection ratio | $V_{IC} = V_{ICRmin}$ | | 0°C | 60 | 97 | dB |
| | | | | 25°C | 65 | 97 | |
| | | | | 70°C | 60 | 97 | |
| k_{SVR} | Supply-voltage rejection ratio ($\Delta V_{DD}/\Delta V_{IO}$) | $V_{DD} = 5\text{ V to }10\text{ V}$, | $V_O = 1.4\text{ V}$ | 0°C | 60 | 97 | dB |
| | | | | 25°C | 70 | 97 | |
| | | | | 70°C | 60 | 98 | |
| I_{DD} | Supply current (four amplifiers) | $V_O = 5\text{ V}$, No load | $V_{IC} = 5\text{ V}$, | 0°C | 72 | 132 | μA |
| | | | | 25°C | 57 | 92 | |
| | | | | 70°C | 44 | 80 | |

† Full range is 0°C to 70°C.

- NOTES: 4. The typical values of input bias current and input offset current below 5 pA were determined mathematically.
5. This range also applies to each input individually.



**TLC254, TLC254A, TLC254B, TLC254Y, TLC25L4, TLC25L4A, TLC25L4B
TLC25L4Y, TLC25M4, TLC25M4A, TLC25M4B, TLC25M4Y
LinCMOS™ QUAD OPERATIONAL AMPLIFIERS**

SLOS003G – JUNE 1983 – REVISED MARCH 2001

operating characteristics, $V_{DD} = 5\text{ V}$

| PARAMETER | TEST CONDITIONS | T_A | TLC25L4C TLC25L4AC TLC25L4BC | | | UNIT |
|---|--|----------------------------|------------------------------------|------|------------------------|------------------|
| | | | MIN | TYP | MAX | |
| SR Slew rate at unity gain | $R_L = 1\text{ M}\Omega$, See Figure 1 $C_L = 20\text{ pF}$ | $V_{I(PP)} = 1\text{ V}$ | 0°C | 0.04 | | V/ μs |
| | | | 25°C | 0.03 | | |
| | | | 70°C | 0.03 | | |
| | | $V_{I(PP)} = 2.5\text{ V}$ | 0°C | 0.03 | | |
| | | | 25°C | 0.03 | | |
| | | | 70°C | 0.02 | | |
| V_n Equivalent input noise voltage | $f = 1\text{ kHz}$, $R_S = 20\ \Omega$, See Figure 2 | 25°C | 70 | | nV/ $\sqrt{\text{Hz}}$ | |
| B_{OM} Maximum output-swing bandwidth | $V_O = V_{OH}$, See Figure 1 $C_L = 20\text{ pF}$, $R_L = 1\text{ M}\Omega$ | 0°C | 6 | | kHz | |
| | | 25°C | 5 | | | |
| | | 70°C | 4.5 | | | |
| B_1 Unity-gain bandwidth | $V_I = 10\text{ mV}$, $C_L = 20\text{ pF}$, See Figure 1 | 0°C | 100 | | kHz | |
| | | 25°C | 85 | | | |
| | | 70°C | 65 | | | |
| ϕ_m Phase margin | $V_I = 10\text{ mV}$, See Figure 3 $f = B_1$, $C_L = 20\text{ pF}$ | 0°C | 36° | | | |
| | | 25°C | 34° | | | |
| | | 70°C | 30° | | | |

operating characteristics, $V_{DD} = 10\text{ V}$

| PARAMETER | TEST CONDITIONS | T_A | TLC25L4C TLC25L4AC TLC25L4BC | | | UNIT |
|---|--|----------------------------|------------------------------------|------|------------------------|------------------|
| | | | MIN | TYP | MAX | |
| SR Slew rate at unity gain | $R_L = 1\text{ M}\Omega$, See Figure 1 $C_L = 20\text{ pF}$ | $V_{I(PP)} = 1\text{ V}$ | 0°C | 0.05 | | V/ μs |
| | | | 25°C | 0.05 | | |
| | | | 70°C | 0.04 | | |
| | | $V_{I(PP)} = 5.5\text{ V}$ | 0°C | 0.05 | | |
| | | | 25°C | 0.04 | | |
| | | | 70°C | 0.04 | | |
| V_n Equivalent input noise voltage | $f = 1\text{ kHz}$, $R_S = 20\ \Omega$, See Figure 2 | 25°C | 70 | | nV/ $\sqrt{\text{Hz}}$ | |
| B_{OM} Maximum output-swing bandwidth | $V_O = V_{OH}$, See Figure 1 $C_L = 20\text{ pF}$, $R_L = 1\text{ M}\Omega$ | 0°C | 1.3 | | kHz | |
| | | 25°C | 1 | | | |
| | | 70°C | 0.9 | | | |
| B_1 Unity-gain bandwidth | $V_I = 10\text{ mV}$, $C_L = 20\text{ pF}$, See Figure 1 | 0°C | 125 | | kHz | |
| | | 25°C | 110 | | | |
| | | 70°C | 90 | | | |
| ϕ_m Phase margin | $V_I = 10\text{ mV}$, See Figure 3 $f = B_1$, $C_L = 20\text{ pF}$ | 0°C | 40° | | | |
| | | 25°C | 38° | | | |
| | | 70°C | 34° | | | |



**TLC254, TLC254A, TLC254B, TLC254Y, TLC25L4, TLC25L4A, TLC25L4B
TLC25L4Y, TLC25M4, TLC25M4A, TLC25M4B, TLC25M4Y
LinCMOS™ QUAD OPERATIONAL AMPLIFIERS**

SLOS003G – JUNE 1983 – REVISED MARCH 2001

electrical characteristics at specified free-air temperature, $V_{DD} = 5\text{ V}$ (unless otherwise noted)

| PARAMETER | | TEST CONDITIONS | | T_A † | TLC25M4C TLC25M4AC TLC25M4BC | | | UNIT |
|-------------------|--|--|--|--|------------------------------------|-------------------|------------------------------|------|
| | | | | | MIN | TYP | MAX | |
| V_{IO} | Input offset voltage | TLC25M4C | $V_O = 1.4\text{ V}$, $R_S = 50\ \Omega$ | $V_{IC} = 0$, $R_L = 100\text{ k}\Omega$ | 25°C | 1.1 | 10 | mV |
| | | | | | Full range | | 12 | |
| | TLC25M4AC | $V_O = 1.4\text{ V}$, $R_S = 50\ \Omega$ | $V_{IC} = 0$, $R_L = 100\text{ k}\Omega$ | 25°C | 0.9 | 5 | | |
| | | | | Full range | | 6.5 | | |
| | TLC25M4BC | $V_O = 1.4\text{ V}$, $R_S = 50\ \Omega$ | $V_{IC} = 0$, $R_L = 100\text{ k}\Omega$ | 25°C | 0.25 | 2 | | |
| | | | | Full range | | 3 | | |
| ϵV_{IO} | Average temperature coefficient of input offset voltage | | | 25°C to 70°C | 1.7 | | $\mu\text{V}/^\circ\text{C}$ | |
| I_{IO} | Input offset current (see Note 4) | $V_O = 2.5\text{ V}$ | $V_{IC} = 2.5\text{ V}$ | 25°C | 0.1 | 60 | pA | |
| | | | | 70°C | 7 | 300 | | |
| I_{IB} | Input bias current (see Note 4) | $V_O = 2.5\text{ V}$ | $V_{IC} = 2.5\text{ V}$ | 25°C | 0.6 | 60 | pA | |
| | | | | 70°C | 40 | 600 | | |
| V_{ICR} | Common-mode input voltage range (see Note 5) | | | 25°C | -0.2 to 4 | -0.3 to 4.2 | V | |
| | | | | Full range | -0.2 to 3.5 | | V | |
| V_{OH} | High-level output voltage | $V_{ID} = 100\text{ mV}$ | $R_L = 100\text{ k}\Omega$ | 0°C | 3 | 3.9 | V | |
| | | | | 25°C | 3.2 | 3.9 | | |
| | | | | 70°C | 3 | 4 | | |
| V_{OL} | Low-level output voltage | $V_{ID} = -100\text{ mV}$ | $I_{OL} = 0$ | 0°C | | 0 50 | mV | |
| | | | | 25°C | | 0 50 | | |
| | | | | 70°C | | 0 50 | | |
| A_{VD} | Large-signal differential voltage amplification | $V_O = 0.25\text{ V to }2\text{ V}$ | $R_L = 100\text{ k}\Omega$ | 0°C | 15 | 200 | V/mV | |
| | | | | 25°C | 25 | 170 | | |
| | | | | 70°C | 15 | 140 | | |
| CMRR | Common-mode rejection ratio | $V_{IC} = V_{ICRmin}$ | | 0°C | 60 | 91 | dB | |
| | | | | 25°C | 65 | 91 | | |
| | | | | 70°C | 60 | 92 | | |
| k_{SVR} | Supply-voltage rejection ratio ($\Delta V_{DD}/\Delta V_{IO}$) | $V_{DD} = 5\text{ V to }10\text{ V}$ | $V_O = 1.4\text{ V}$ | 0°C | 60 | 92 | dB | |
| | | | | 25°C | 70 | 93 | | |
| | | | | 70°C | 60 | 94 | | |
| I_{DD} | Supply current (four amplifiers) | $V_O = 2.5\text{ V}$, No load | $V_{IC} = 2.5\text{ V}$ | 0°C | 500 | 1280 | μA | |
| | | | | 25°C | 420 | 1120 | | |
| | | | | 70°C | 340 | 880 | | |

† Full range is 0°C to 70°C.

NOTES: 4. The typical values of input bias current and input offset current below 5 pA were determined mathematically.
5. This range also applies to each input individually.



**TLC254, TLC254A, TLC254B, TLC254Y, TLC25L4, TLC25L4A, TLC25L4B
TLC25L4Y, TLC25M4, TLC25M4A, TLC25M4B, TLC25M4Y
LinCMOS™ QUAD OPERATIONAL AMPLIFIERS**

SLOS003G – JUNE 1983 – REVISED MARCH 2001

electrical characteristics at specified free-air temperature, $V_{DD} = 10\text{ V}$ (unless otherwise noted)

| PARAMETER | | TEST CONDITIONS | T_A^\dagger | TLC25M4C TLC25M4AC TLC25M4BC | | | UNIT |
|----------------|--|--|--|------------------------------------|-------------|------------------------------|------|
| | | | | MIN | TYP | MAX | |
| V_{IO} | Input offset voltage | TLC25M4C | $V_O = 1.4\text{ V}$, $R_S = 50\ \Omega$, $V_{IC} = 0$, $R_L = 100\text{ k}\Omega$ | 25°C | 1.1 | 10 | mV |
| | | | | Full range | | 12 | |
| | | TLC25M4AC | $V_O = 1.4\text{ V}$, $R_S = 50\ \Omega$, $V_{IC} = 0$, $R_L = 100\text{ k}\Omega$ | 25°C | 0.9 | 5 | |
| | | | | Full range | | 6.5 | |
| | | TLC25M4BC | $V_O = 1.4\text{ V}$, $R_S = 50\ \Omega$, $V_{IC} = 0$, $R_L = 100\text{ k}\Omega$ | 25°C | 0.26 | 2 | |
| | | | | Full range | | 3 | |
| α_{VIO} | Average temperature coefficient of input offset voltage | | 25°C to 70°C | 2.1 | | $\mu\text{V}/^\circ\text{C}$ | |
| I_{IO} | Input offset current (see Note 4) | $V_O = 5\text{ V}$, $V_{IC} = 5\text{ V}$ | 25°C | 0.1 | 60 | pA | |
| | | | 70°C | 7 | 300 | | |
| I_{IB} | Input bias current (see Note 4) | $V_O = 5\text{ V}$, $V_{IC} = 5\text{ V}$ | 25°C | 0.7 | 60 | pA | |
| | | | 70°C | 50 | 600 | | |
| V_{ICR} | Common-mode input voltage range (see Note 5) | | 25°C | -0.2 to 9 | -0.3 to 9.2 | V | |
| | | | Full range | -0.2 to 8.5 | | V | |
| V_{OH} | High-level output voltage | $V_{ID} = 100\text{ mV}$, $R_L = 100\text{ k}\Omega$ | 0°C | 7.8 | 8.7 | V | |
| | | | 25°C | 8 | 8.7 | | |
| | | | 70°C | 7.8 | 8.7 | | |
| V_{OL} | Low-level output voltage | $V_{ID} = -100\text{ mV}$, $I_{OL} = 0$ | 0°C | 0 | 50 | mV | |
| | | | 25°C | 0 | 50 | | |
| | | | 70°C | 0 | 50 | | |
| A_{VD} | Large-signal differential voltage amplification | $V_O = 1\text{ V to }6\text{ V}$, $R_L = 100\text{ k}\Omega$ | 0°C | 15 | 320 | V/mV | |
| | | | 25°C | 25 | 275 | | |
| | | | 70°C | 15 | 230 | | |
| CMRR | Common-mode rejection ratio | $V_{IC} = V_{ICRmin}$ | 0°C | 60 | 94 | dB | |
| | | | 25°C | 65 | 94 | | |
| | | | 70°C | 60 | 94 | | |
| k_{SVR} | Supply-voltage rejection ratio ($\Delta V_{DD}/\Delta V_{IO}$) | $V_{DD} = 5\text{ V to }10\text{ V}$, $V_O = 1.4\text{ V}$ | 0°C | 60 | 92 | dB | |
| | | | 25°C | 70 | 93 | | |
| | | | 70°C | 60 | 94 | | |
| I_{DD} | Supply current (four amplifiers) | $V_O = 5\text{ V}$, No load $V_{IC} = 5\text{ V}$ | 0°C | 690 | 1600 | μA | |
| | | | 25°C | 570 | 1200 | | |
| | | | 70°C | 440 | 1120 | | |

† Full range is 0°C to 70°C.

NOTES: 4. The typical values of input bias current and input offset current below 5 pA were determined mathematically.

5. This range also applies to each input individually.



**TLC254, TLC254A, TLC254B, TLC254Y, TLC25L4, TLC25L4A, TLC25L4B
TLC25L4Y, TLC25M4, TLC25M4A, TLC25M4B, TLC25M4Y
LinCMOS™ QUAD OPERATIONAL AMPLIFIERS**

SLOS003G – JUNE 1983 – REVISED MARCH 2001

operating characteristics, $V_{DD} = 5\text{ V}$

| PARAMETER | TEST CONDITIONS | T_A | TLC25M4C TLC25M4AC TLC25M4BC | | | UNIT |
|---|---|--|------------------------------------|------|------------------------|------------|
| | | | MIN | TYP | MAX | |
| SR Slew rate at unity gain | $R_L = 100\text{ k}\Omega$, $C_L = 20\text{ pF}$, See Figure 1 | $V_{I(PP)} = 1\text{ V}$ | 0°C | 0.46 | | V/ μ s |
| | | | 25°C | 0.43 | | V/ μ s |
| | | | 70°C | 0.36 | | |
| | | $V_{I(PP)} = 2.5\text{ V}$ | 0°C | 0.43 | | V/ μ s |
| | | | 25°C | 0.40 | | |
| | | | 70°C | 0.34 | | |
| V_n Equivalent input noise voltage | $f = 1\text{ kHz}$, $R_S = 20\ \Omega$, See Figure 2 | 25°C | 32 | | nV/ $\sqrt{\text{Hz}}$ | |
| B_{OM} Maximum output-swing bandwidth | $V_O = V_{OH}$, See Figure 1 | $C_L = 20\text{ pF}$, $R_L = 100\text{ k}\Omega$ | 0°C | 60 | | kHz |
| | | | 25°C | 55 | | |
| | | | 70°C | 50 | | |
| B_1 Unity-gain bandwidth | $V_I = 10\text{ mV}$, $C_L = 20\text{ pF}$, See Figure 1 | 0°C | 610 | | kHz | |
| | | 25°C | 525 | | | |
| | | 70°C | 400 | | | |
| ϕ_m Phase margin | $V_I = 10\text{ mV}$, See Figure 3 | $f = B_1$, $C_L = 20\text{ pF}$ | 0°C | 41° | | |
| | | | 25°C | 40° | | |
| | | | 70°C | 39° | | |

operating characteristics, $V_{DD} = 10\text{ V}$

| PARAMETER | TEST CONDITIONS | T_A | TLC25M4C TLC25M4AC TLC25M4BC | | | UNIT |
|---|---|--|------------------------------------|------|------------------------|------------|
| | | | MIN | TYP | MAX | |
| SR Slew rate at unity gain | $R_L = 100\text{ k}\Omega$, $C_L = 20\text{ pF}$, See Figure 1 | $V_{I(PP)} = 1\text{ V}$ | 0°C | 0.67 | | V/ μ s |
| | | | 25°C | 0.62 | | |
| | | | 70°C | 0.51 | | |
| | | $V_{I(PP)} = 5.5\text{ V}$ | 0°C | 0.61 | | |
| | | | 25°C | 0.56 | | |
| | | | 70°C | 0.46 | | |
| V_n Equivalent input noise voltage | $f = 1\text{ kHz}$, $R_S = 20\ \Omega$, See Figure 2 | 25°C | 32 | | nV/ $\sqrt{\text{Hz}}$ | |
| B_{OM} Maximum output-swing bandwidth | $V_O = V_{OH}$, See Figure 1 | $C_L = 20\text{ pF}$, $R_L = 100\text{ k}\Omega$ | 0°C | 40 | | kHz |
| | | | 25°C | 35 | | |
| | | | 70°C | 30 | | |
| B_1 Unity-gain bandwidth | $V_I = 10\text{ mV}$, $C_L = 20\text{ pF}$, See Figure 1 | 0°C | 710 | | kHz | |
| | | 25°C | 635 | | | |
| | | 70°C | 510 | | | |
| ϕ_m Phase margin | $V_I = 10\text{ mV}$, See Figure 3 | $f = B_1$, $C_L = 20\text{ pF}$ | 0°C | 44° | | |
| | | | 25°C | 43° | | |
| | | | 70°C | 42° | | |



**TLC254, TLC254A, TLC254B, TLC254Y, TLC25L4, TLC25L4A, TLC25L4B
TLC25L4Y, TLC25M4, TLC25M4A, TLC25M4B, TLC25M4Y
LinCMOS™ QUAD OPERATIONAL AMPLIFIERS**

SLOS003G – JUNE 1983 – REVISED MARCH 2001

electrical characteristics, $V_{DD} = 5\text{ V}$, $T_A = 25^\circ\text{C}$ (unless otherwise noted)

| PARAMETER | TEST CONDITIONS | TLC254Y | | | TLC25L4Y | | | TLC25M4Y | | | UNIT |
|--|---|-----------------|-------------------|-----|-----------------|-------------------|-------|-----------------|-------------------|------|------------------------------|
| | | MIN | TYP | MAX | MIN | TYP | MAX | MIN | TYP | MAX | |
| V_{IO} Input offset voltage | $V_O = 1.4\text{ V}$, $V_{IC} = 0\text{ V}$, $R_S = 50\ \Omega$, See Note 6 | | 1.1 | 10 | | 1.1 | 10 | | 1.1 | 10 | mV |
| α_{VIO} Average temperature coefficient of input offset voltage | | | 1.8 | | | 1.1 | | | 1.7 | | $\mu\text{V}/^\circ\text{C}$ |
| I_{IO} Input offset current (see Note 4) | $V_O = V_{DD}/2$, $V_{IC} = V_{DD}/2$ | | 0.1 | 60 | | 0.1 | 60 | | 0.1 | 60 | pA |
| I_{IB} Input bias current (see Note 4) | $V_O = V_{DD}/2$, $V_{IC} = V_{DD}/2$ | | 0.6 | 60 | | 0.6 | 60 | | 0.6 | 60 | pA |
| V_{ICR} Common-mode input voltage range (see Note 5) | | -0.2 to 4 | -0.3 to 4.2 | | -0.2 to 4 | -0.3 to 4.2 | | -0.2 to 4 | -0.3 to 4.2 | | V |
| V_{OH} High-level output voltage | $V_{ID} = 100\text{ mV}$, $R_L = 100\text{ k}\Omega$ | 3.2 | 3.8 | | 3.2 | 4.1 | | 3.2 | 3.9 | | V |
| V_{OL} Low-level output voltage | $V_{ID} = -100\text{ mV}$, $I_{OL} = 0$ | | 0 | 50 | | 0 | 50 | | 0 | 50 | mV |
| A_{VD} Large-signal differential voltage amplification | $V_O = 0.25\text{ V}$, See Note 6 | 5 | 23 | | 50 | 520 | | 25 | 170 | | V/mV |
| CMRR Common-mode rejection ratio | $V_{IC} = V_{ICRmin}$ | 65 | 80 | | 65 | 94 | | 65 | 91 | | dB |
| k_{SVR} Supply-voltage rejection ratio ($\Delta V_{DD}/\Delta V_{IO}$) | $V_{DD} = 5\text{ V to }10\text{ V}$, $V_O = 1.4\text{ V}$ | 65 | 95 | | 70 | 97 | | 70 | 93 | | dB |
| I_{DD} Supply current | $V_O = V_{DD}/2$, $V_{IC} = V_{DD}/2$, No load | | 2.7 | 6.4 | | 0.04 | 0.068 | | 0.42 | 1.12 | mA |

NOTES: 4. The typical values of input bias current and input offset current below 5 pA were determined mathematically.
5. This range also applies to each input individually.
6. For low-bias mode, $R_L = 1\text{ M}\Omega$, for medium-bias mode, $R_L = 100\text{ k}\Omega$, and for high-bias mode, $R_L = 10\text{ k}\Omega$.

operating characteristics, $V_{DD} = 5\text{ V}$, $T_A = 25^\circ\text{C}$

| PARAMETER | TEST CONDITIONS | TLC254Y | | | TLC25L4Y | | | TLC25M4Y | | | UNIT |
|---|---|--------------------------|-----|-----|----------|-------|-----|----------|-----|------------------------------|------|
| | | MIN | TYP | MAX | MIN | TYP | MAX | MIN | TYP | MAX | |
| SR Slew rate at unity gain | $C_L = 20\text{ pF}$, See Note 6 | $V_I(PP) = 1\text{ V}$ | | 3.6 | | 0.03 | | 0.43 | | V/ μs | |
| | | $V_I(PP) = 2.5\text{ V}$ | | 2.9 | | 0.03 | | 0.40 | | | |
| V_n Equivalent input noise voltage | $f = 1\text{ kHz}$, $R_S = 20\ \Omega$ | | 2.5 | | | 70 | | 32 | | $\text{nV}/\sqrt{\text{Hz}}$ | |
| B_{OM} Maximum output-swing bandwidth | $V_O = V_{OH}$, $R_L = 10\text{ k}\Omega$, $C_L = 20\text{ pF}$ | | 320 | | | 5 | | 55 | | kHz | |
| B_1 Unity-gain bandwidth | $V_I = 10\text{ mV}$, $C_L = 20\text{ pF}$ | | 1.7 | | | 0.085 | | 0.525 | | MHz | |
| ϕ_m Phase margin | $f = B_1$, $C_L = 20\text{ pF}$, $V_I = 10\text{ mV}$ | | 46° | | | 34° | | 40° | | | |

NOTE 6: For low-bias mode, $R_L = 1\text{ M}\Omega$, for medium-bias mode, $R_L = 100\text{ k}\Omega$, and for high-bias mode, $R_L = 10\text{ k}\Omega$.



PARAMETER MEASUREMENT INFORMATION

single-supply versus split-supply test circuits

Because the TLC25_4, TLC25_4A, and TLC25_4B are optimized for single-supply operation, circuit configurations used for the various tests often present some inconvenience since the input signal, in many cases, must be offset from ground. This inconvenience can be avoided by testing the device with split supplies and the output load tied to the negative rail. A comparison of single-supply versus split-supply test circuits is shown below. The use of either circuit gives the same result.

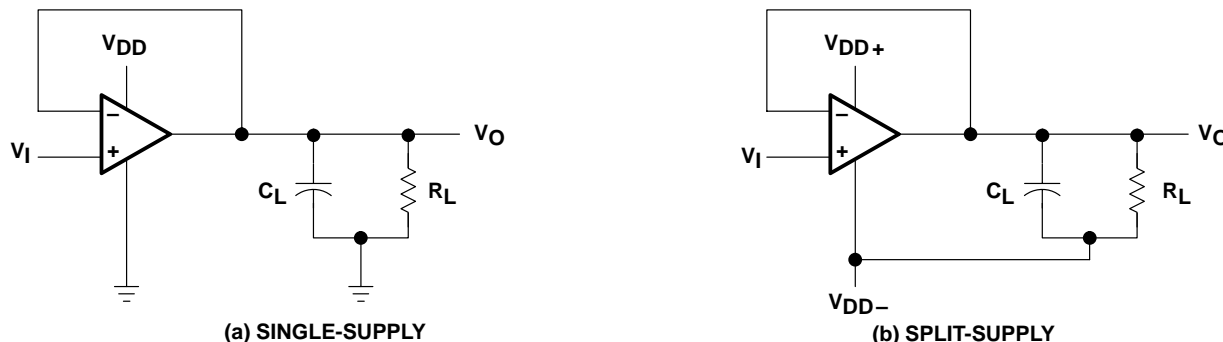


Figure 1. Unity-Gain Amplifier

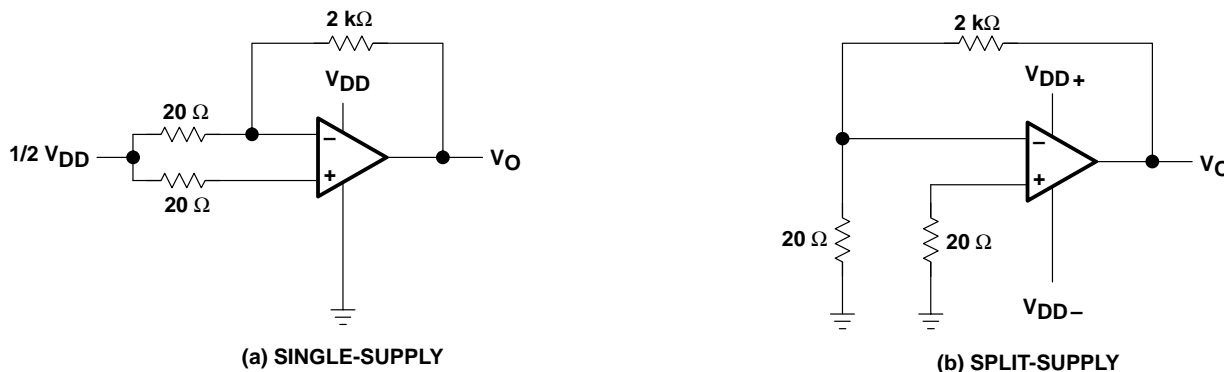


Figure 2. Noise-Test Circuit

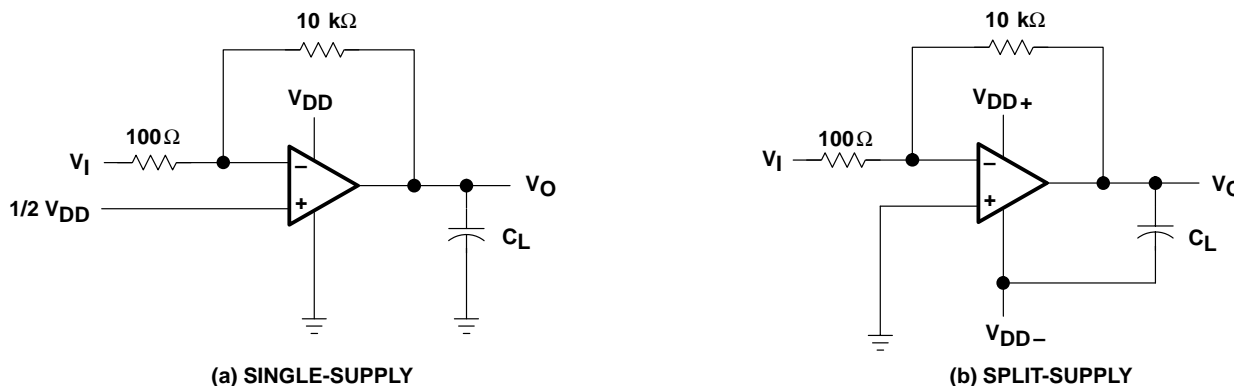


Figure 3. Gain-of-100 Inverting Amplifier

TYPICAL CHARACTERISTICS

Table of Graphs

| | | | FIGURE |
|-----------------|---|--------------------------|--------|
| I _{DD} | Supply current | vs Supply voltage | 4 |
| | | vs Free-air temperature | 5 |
| A _{VD} | Large-signal differential voltage amplification | Low bias vs Frequency | 6 |
| | | Medium bias vs Frequency | 7 |
| | | High bias vs Frequency | 8 |
| | Phase shift | Low bias vs Frequency | 6 |
| | | Medium bias vs Frequency | 7 |
| | | High bias vs Frequency | 8 |

SUPPLY CURRENT
 vs
 SUPPLY VOLTAGE

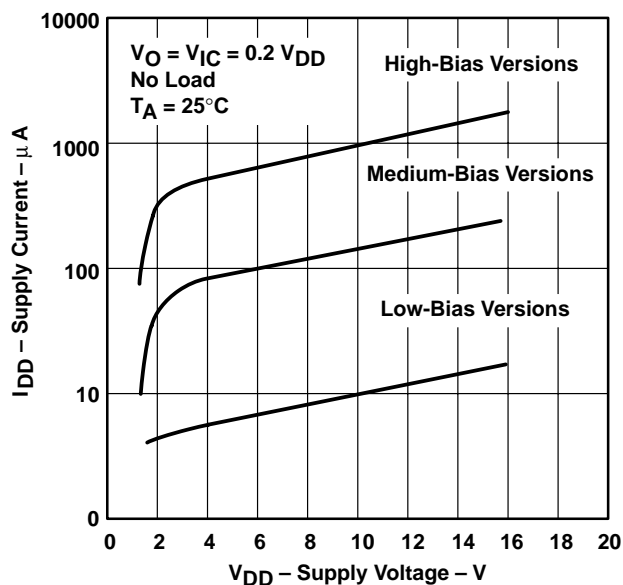


Figure 4

SUPPLY CURRENT
 vs
 FREE-AIR TEMPERATURE

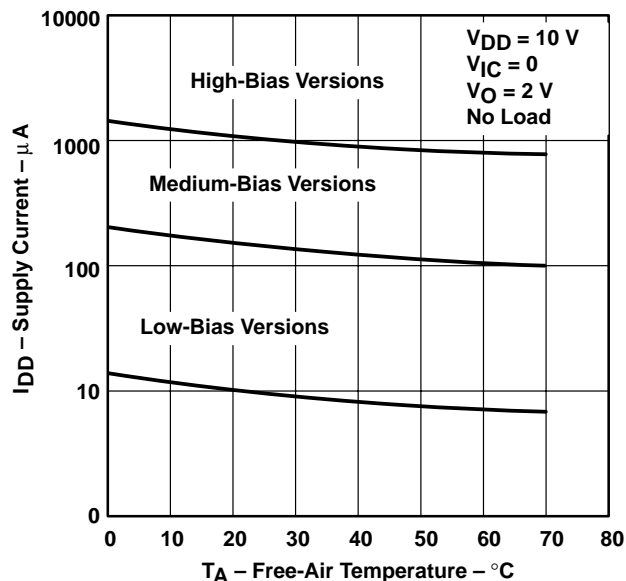


Figure 5

TYPICAL CHARACTERISTICS

LOW-BIAS LARGE-SIGNAL DIFFERENTIAL
 VOLTAGE AMPLIFICATION AND PHASE SHIFT
 VS
 FREQUENCY

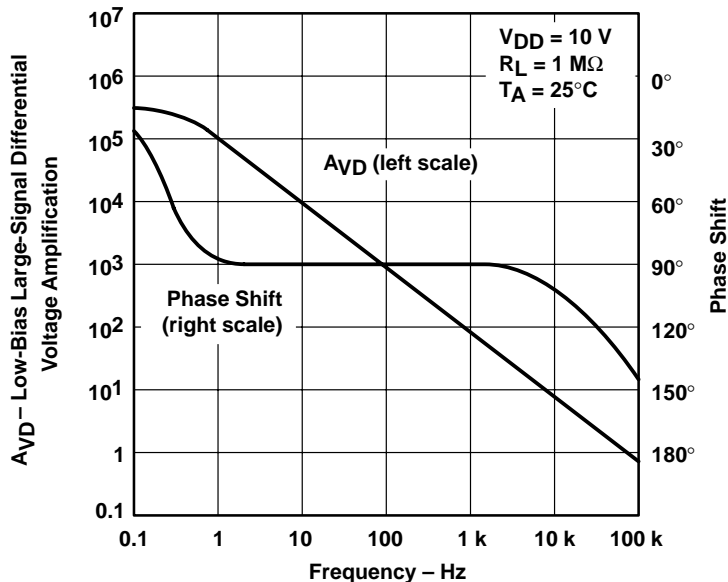


Figure 6

MEDIUM-BIAS LARGE-SIGNAL
 DIFFERENTIAL VOLTAGE AMPLIFICATION
 AND PHASE SHIFT
 VS
 FREQUENCY

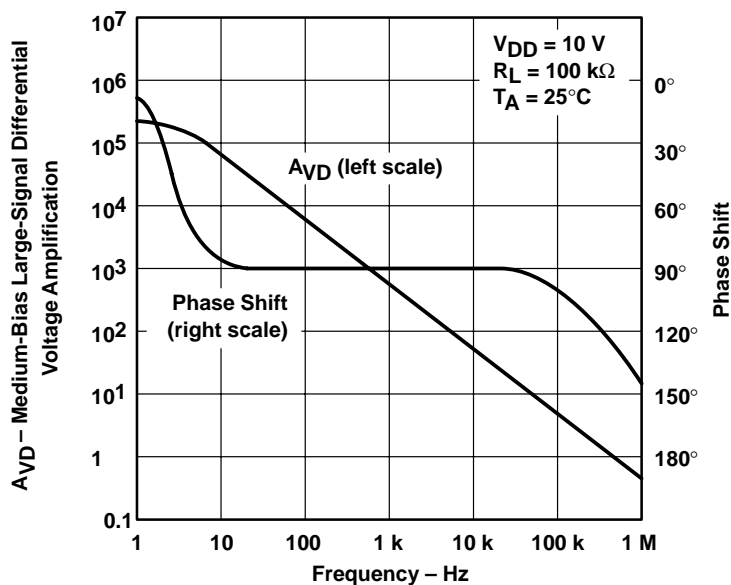


Figure 7

TYPICAL CHARACTERISTICS

HIGH-BIAS LARGE-SIGNAL
DIFFERENTIAL VOLTAGE AMPLIFICATION
AND PHASE SHIFT
VS
FREQUENCY

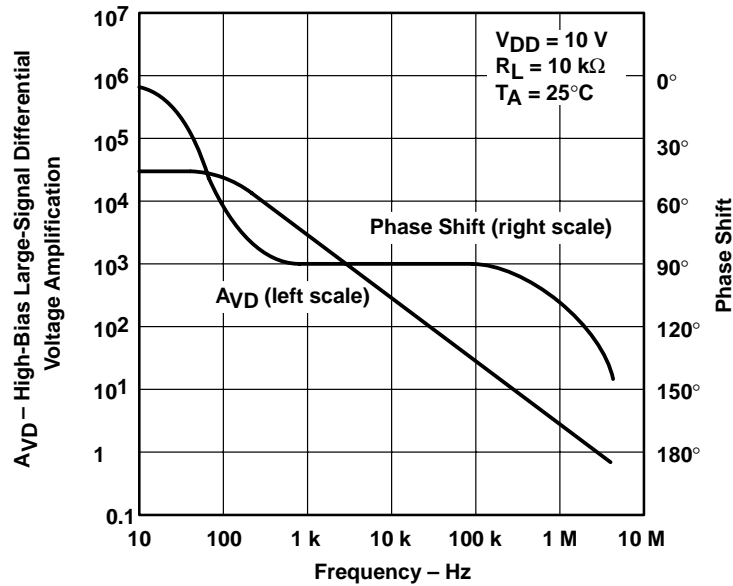


Figure 8

APPLICATION INFORMATION

latch-up avoidance

Junction-isolated CMOS circuits have an inherent parasitic PNP structure that can function as an SCR. Under certain conditions, this SCR may be triggered into a low-impedance state, resulting in excessive supply current. To avoid such conditions, no voltage greater than 0.3 V beyond the supply rails should be applied to any pin. In general, the operational amplifiers supplies should be established simultaneously with, or before, application of any input signals.

output stage considerations

The amplifier's output stage consists of a source-follower-connected pullup transistor and an open-drain pulldown transistor. The high-level output voltage (V_{OH}) is virtually independent of the I_{DD} selection and increases with higher values of V_{DD} and reduced output loading. The low-level output voltage (V_{OL}) decreases with reduced output current and higher input common-mode voltage. With no load, V_{OL} is essentially equal to the potential of V_{DD-}/GND .

supply configurations

Even though the TLC25_4C series is characterized for single-supply operation, they can be used effectively in a split-supply configuration if the input common-mode voltage (V_{ICR}), output swing (V_{OL} and V_{OH}), and supply voltage limits are not exceeded.

circuit layout precautions

Whenever extremely high circuit impedances are used, care must be exercised in layout, construction, board cleanliness, and supply filtering to avoid hum and noise pickup as well as excessive dc leakages.

PACKAGING INFORMATION

| Orderable Device | Status ⁽¹⁾ | Package Type | Package Drawing | Pins | Package Qty | Eco Plan ⁽²⁾ | Lead/Ball Finish | MSL Peak Temp ⁽³⁾ |
|------------------|-----------------------|--------------|-----------------|------|-------------|-------------------------|------------------|------------------------------|
| TLC254ACD | ACTIVE | SOIC | D | 14 | 50 | Green (RoHS & no Sb/Br) | CU NIPDAU | Level-1-260C-UNLIM |
| TLC254ACDG4 | ACTIVE | SOIC | D | 14 | 50 | Green (RoHS & no Sb/Br) | CU NIPDAU | Level-1-260C-UNLIM |
| TLC254ACN | ACTIVE | PDIP | N | 14 | 25 | Pb-Free (RoHS) | CU NIPDAU | N / A for Pkg Type |
| TLC254ACNE4 | ACTIVE | PDIP | N | 14 | 25 | Pb-Free (RoHS) | CU NIPDAU | N / A for Pkg Type |
| TLC254BCD | ACTIVE | SOIC | D | 14 | 50 | Green (RoHS & no Sb/Br) | CU NIPDAU | Level-1-260C-UNLIM |
| TLC254BCDG4 | ACTIVE | SOIC | D | 14 | 50 | Green (RoHS & no Sb/Br) | CU NIPDAU | Level-1-260C-UNLIM |
| TLC254BCN | ACTIVE | PDIP | N | 14 | 25 | Pb-Free (RoHS) | CU NIPDAU | N / A for Pkg Type |
| TLC254BCNE4 | ACTIVE | PDIP | N | 14 | 25 | Pb-Free (RoHS) | CU NIPDAU | N / A for Pkg Type |
| TLC254CD | ACTIVE | SOIC | D | 14 | 50 | Green (RoHS & no Sb/Br) | CU NIPDAU | Level-1-260C-UNLIM |
| TLC254CDG4 | ACTIVE | SOIC | D | 14 | 50 | Green (RoHS & no Sb/Br) | CU NIPDAU | Level-1-260C-UNLIM |
| TLC254CN | ACTIVE | PDIP | N | 14 | 25 | Pb-Free (RoHS) | CU NIPDAU | N / A for Pkg Type |
| TLC254CNE4 | ACTIVE | PDIP | N | 14 | 25 | Pb-Free (RoHS) | CU NIPDAU | N / A for Pkg Type |
| TLC254ID | ACTIVE | SOIC | D | 14 | 50 | Green (RoHS & no Sb/Br) | CU NIPDAU | Level-1-260C-UNLIM |
| TLC254IDG4 | ACTIVE | SOIC | D | 14 | 50 | Green (RoHS & no Sb/Br) | CU NIPDAU | Level-1-260C-UNLIM |
| TLC25L4ACN | ACTIVE | PDIP | N | 14 | 25 | Pb-Free (RoHS) | CU NIPDAU | N / A for Pkg Type |
| TLC25L4ACNE4 | ACTIVE | PDIP | N | 14 | 25 | Pb-Free (RoHS) | CU NIPDAU | N / A for Pkg Type |
| TLC25L4BCD | ACTIVE | SOIC | D | 14 | 50 | Green (RoHS & no Sb/Br) | CU NIPDAU | Level-1-260C-UNLIM |
| TLC25L4BCDG4 | ACTIVE | SOIC | D | 14 | 50 | Green (RoHS & no Sb/Br) | CU NIPDAU | Level-1-260C-UNLIM |
| TLC25L4BCN | ACTIVE | PDIP | N | 14 | 25 | Pb-Free (RoHS) | CU NIPDAU | N / A for Pkg Type |
| TLC25L4BCNE4 | ACTIVE | PDIP | N | 14 | 25 | Pb-Free (RoHS) | CU NIPDAU | N / A for Pkg Type |
| TLC25L4CD | ACTIVE | SOIC | D | 14 | 50 | Green (RoHS & no Sb/Br) | CU NIPDAU | Level-1-260C-UNLIM |
| TLC25L4CDB | OBSOLETE | SSOP | DB | 14 | | TBD | Call TI | Call TI |
| TLC25L4CDG4 | ACTIVE | SOIC | D | 14 | 50 | Green (RoHS & no Sb/Br) | CU NIPDAU | Level-1-260C-UNLIM |
| TLC25L4CN | ACTIVE | PDIP | N | 14 | 25 | Pb-Free (RoHS) | CU NIPDAU | N / A for Pkg Type |
| TLC25L4CNE4 | ACTIVE | PDIP | N | 14 | 25 | Pb-Free (RoHS) | CU NIPDAU | N / A for Pkg Type |

| Orderable Device | Status ⁽¹⁾ | Package Type | Package Drawing | Pins | Package Qty | Eco Plan ⁽²⁾ | Lead/Ball Finish | MSL Peak Temp ⁽³⁾ |
|------------------|-----------------------|--------------|-----------------|------|-------------|-------------------------|------------------|------------------------------|
| TLC25M4ACDR | PREVIEW | SOIC | D | 14 | | TBD | Call TI | Call TI |
| TLC25M4ACN | OBSOLETE | PDIP | N | 14 | | TBD | Call TI | Call TI |
| TLC25M4BCD | OBSOLETE | SOIC | D | 14 | | TBD | Call TI | Call TI |
| TLC25M4BCN | ACTIVE | PDIP | N | 14 | 25 | Pb-Free (RoHS) | CU NIPDAU | N / A for Pkg Type |
| TLC25M4BCNE4 | ACTIVE | PDIP | N | 14 | 25 | Pb-Free (RoHS) | CU NIPDAU | N / A for Pkg Type |
| TLC25M4CD | ACTIVE | SOIC | D | 14 | 50 | Green (RoHS & no Sb/Br) | CU NIPDAU | Level-1-260C-UNLIM |
| TLC25M4CDG4 | ACTIVE | SOIC | D | 14 | 50 | Green (RoHS & no Sb/Br) | CU NIPDAU | Level-1-260C-UNLIM |
| TLC25M4CDR | ACTIVE | SOIC | D | 14 | 2500 | Green (RoHS & no Sb/Br) | CU NIPDAU | Level-1-260C-UNLIM |
| TLC25M4CDRG4 | ACTIVE | SOIC | D | 14 | 2500 | Green (RoHS & no Sb/Br) | CU NIPDAU | Level-1-260C-UNLIM |
| TLC25M4CN | ACTIVE | PDIP | N | 14 | 25 | Pb-Free (RoHS) | CU NIPDAU | N / A for Pkg Type |
| TLC25M4CNE4 | ACTIVE | PDIP | N | 14 | 25 | Pb-Free (RoHS) | CU NIPDAU | N / A for Pkg Type |

⁽¹⁾ The marketing status values are defined as follows:

ACTIVE: Product device recommended for new designs.

LIFEBUY: TI has announced that the device will be discontinued, and a lifetime-buy period is in effect.

NRND: Not recommended for new designs. Device is in production to support existing customers, but TI does not recommend using this part in a new design.

PREVIEW: Device has been announced but is not in production. Samples may or may not be available.

OBSOLETE: TI has discontinued the production of the device.

⁽²⁾ Eco Plan - The planned eco-friendly classification: Pb-Free (RoHS), Pb-Free (RoHS Exempt), or Green (RoHS & no Sb/Br) - please check <http://www.ti.com/productcontent> for the latest availability information and additional product content details.

TBD: The Pb-Free/Green conversion plan has not been defined.

Pb-Free (RoHS): TI's terms "Lead-Free" or "Pb-Free" mean semiconductor products that are compatible with the current RoHS requirements for all 6 substances, including the requirement that lead not exceed 0.1% by weight in homogeneous materials. Where designed to be soldered at high temperatures, TI Pb-Free products are suitable for use in specified lead-free processes.

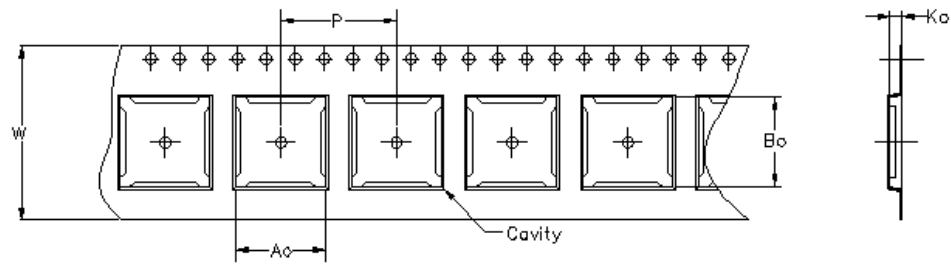
Pb-Free (RoHS Exempt): This component has a RoHS exemption for either 1) lead-based flip-chip solder bumps used between the die and package, or 2) lead-based die adhesive used between the die and leadframe. The component is otherwise considered Pb-Free (RoHS compatible) as defined above.

Green (RoHS & no Sb/Br): TI defines "Green" to mean Pb-Free (RoHS compatible), and free of Bromine (Br) and Antimony (Sb) based flame retardants (Br or Sb do not exceed 0.1% by weight in homogeneous material)

⁽³⁾ MSL, Peak Temp. -- The Moisture Sensitivity Level rating according to the JEDEC industry standard classifications, and peak solder temperature.

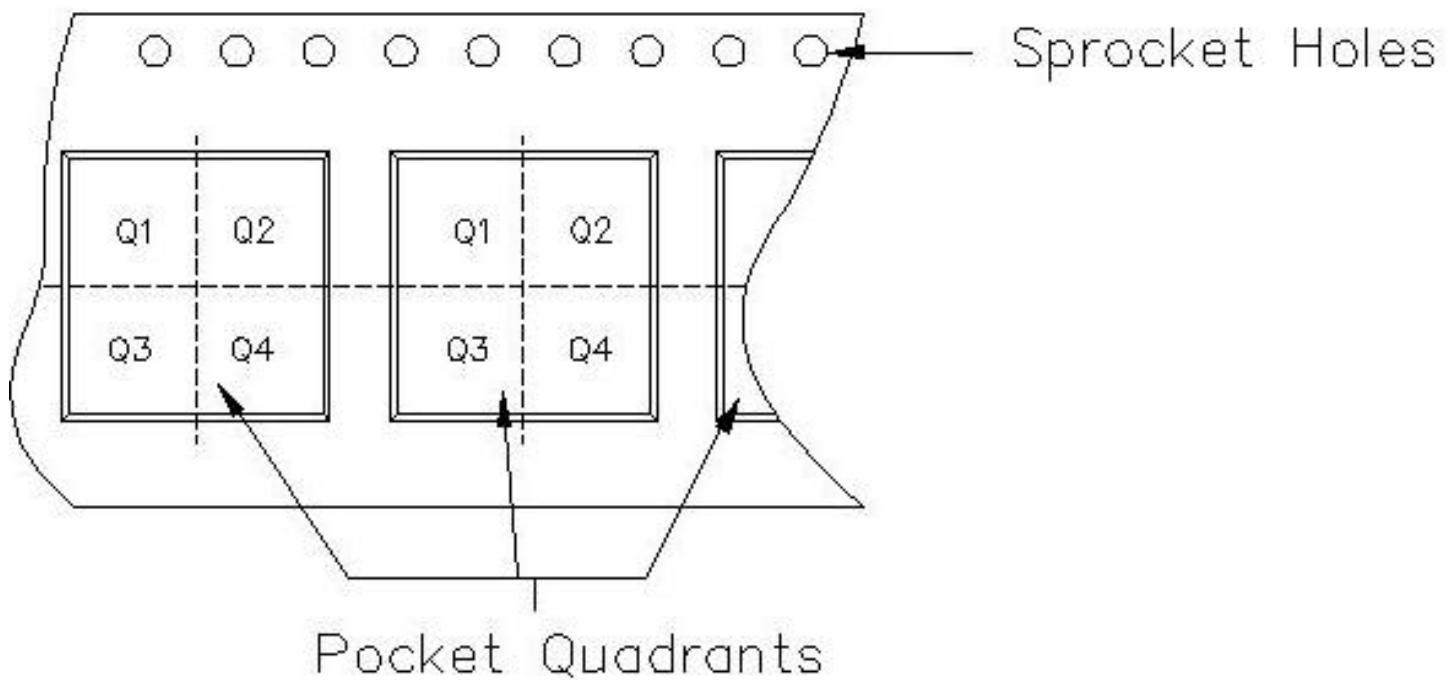
Important Information and Disclaimer: The information provided on this page represents TI's knowledge and belief as of the date that it is provided. TI bases its knowledge and belief on information provided by third parties, and makes no representation or warranty as to the accuracy of such information. Efforts are underway to better integrate information from third parties. TI has taken and continues to take reasonable steps to provide representative and accurate information but may not have conducted destructive testing or chemical analysis on incoming materials and chemicals. TI and TI suppliers consider certain information to be proprietary, and thus CAS numbers and other limited information may not be available for release.

In no event shall TI's liability arising out of such information exceed the total purchase price of the TI part(s) at issue in this document sold by TI to Customer on an annual basis.



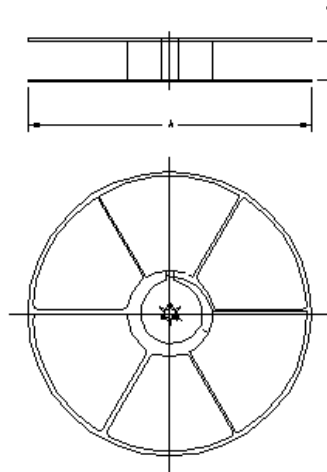
Carrier tape design is defined largely by the component length, width, and thickness.

| |
|--|
| A_o = Dimension designed to accommodate the component width. |
| B_o = Dimension designed to accommodate the component length. |
| K_o = Dimension designed to accommodate the component thickness. |
| W = Overall width of the carrier tape. |
| P = Pitch between successive cavity centers. |



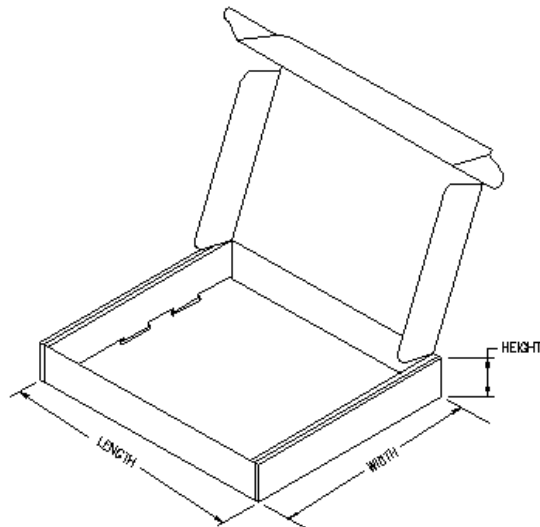
TAPE AND REEL INFORMATION

| Device | Package | Pins | Site | Reel Diameter (mm) | Reel Width (mm) | A0 (mm) | B0 (mm) | K0 (mm) | P1 (mm) | W (mm) | Pin1 Quadrant |
|------------|---------|------|------|--------------------|-----------------|---------|---------|---------|---------|--------|---------------|
| TLC25M4CDR | D | 14 | TAI | 330 | 16 | 6.5 | 9.0 | 2.5 | 8 | 16 | Q1 |



TAPE AND REEL BOX INFORMATION

| Device | Package | Pins | Site | Length (mm) | Width (mm) | Height (mm) |
|------------|---------|------|------|-------------|------------|-------------|
| TLC25M4CDR | D | 14 | TAI | 346.0 | 346.0 | 33.0 |



N (R-PDIP-T**)

PLASTIC DUAL-IN-LINE PACKAGE

16 PINS SHOWN

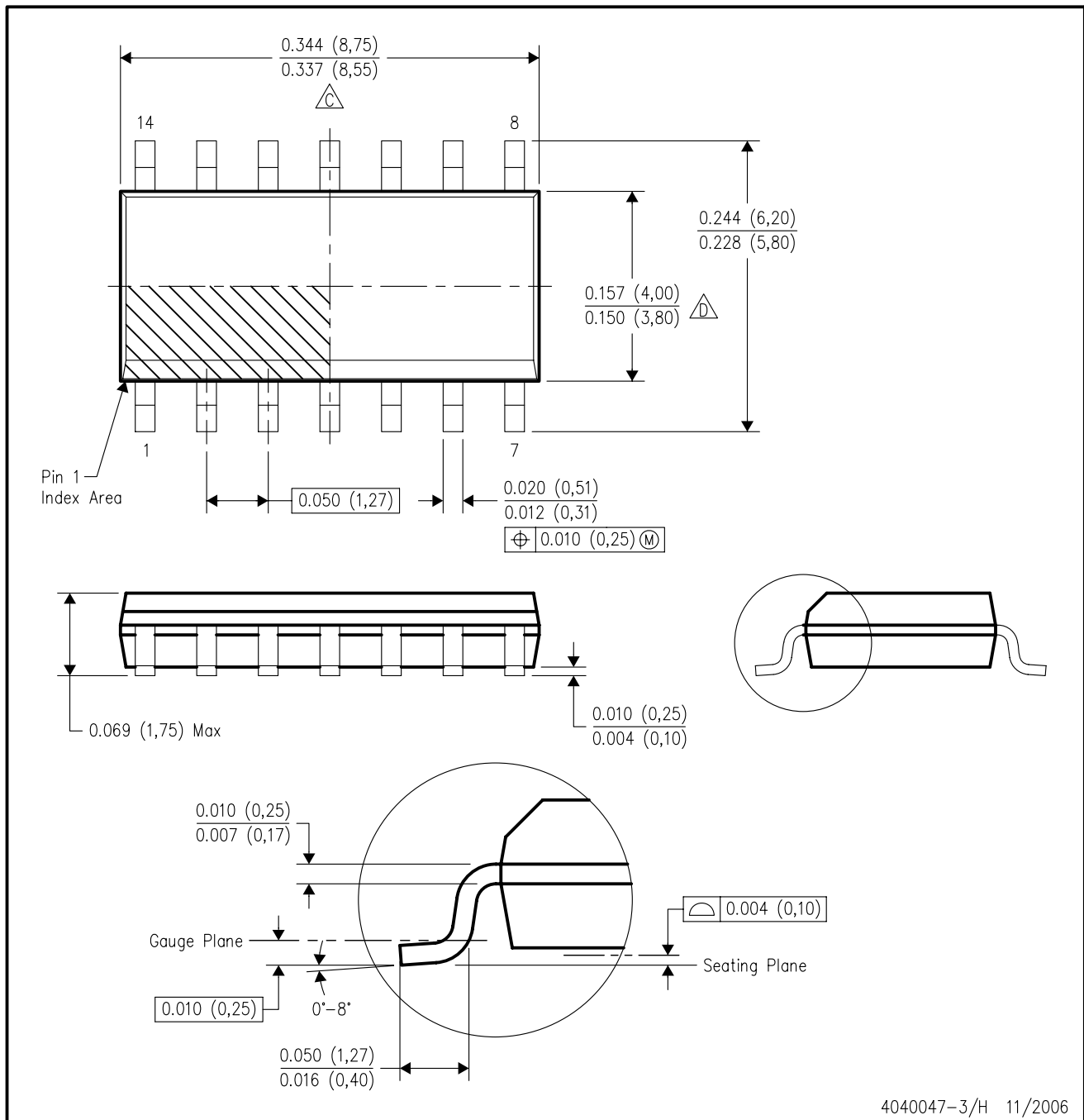


- NOTES:
- A. All linear dimensions are in inches (millimeters).
 - B. This drawing is subject to change without notice.
 - $\triangle C$ Falls within JEDEC MS-001, except 18 and 20 pin minimum body length (Dim A).
 - $\triangle D$ The 20 pin end lead shoulder width is a vendor option, either half or full width.

4040049/E 12/2002

D (R-PDSO-G14)

PLASTIC SMALL-OUTLINE PACKAGE



4040047-3/H 11/2006

- NOTES:
- A. All linear dimensions are in inches (millimeters).
 - B. This drawing is subject to change without notice.
 - $\triangle C$ Body length does not include mold flash, protrusions, or gate burrs. Mold flash, protrusions, or gate burrs shall not exceed .006 (0,15) per end.
 - $\triangle D$ Body width does not include interlead flash. Interlead flash shall not exceed .017 (0,43) per side.
 - E. Reference JEDEC MS-012 variation AB.

DB (R-PDSO-G**)

PLASTIC SMALL-OUTLINE

28 PINS SHOWN



- NOTES: A. All linear dimensions are in millimeters.
 B. This drawing is subject to change without notice.
 C. Body dimensions do not include mold flash or protrusion not to exceed 0,15.
 D. Falls within JEDEC MO-150

IMPORTANT NOTICE

Texas Instruments Incorporated and its subsidiaries (TI) reserve the right to make corrections, modifications, enhancements, improvements, and other changes to its products and services at any time and to discontinue any product or service without notice. Customers should obtain the latest relevant information before placing orders and should verify that such information is current and complete. All products are sold subject to TI's terms and conditions of sale supplied at the time of order acknowledgment.

TI warrants performance of its hardware products to the specifications applicable at the time of sale in accordance with TI's standard warranty. Testing and other quality control techniques are used to the extent TI deems necessary to support this warranty. Except where mandated by government requirements, testing of all parameters of each product is not necessarily performed.

TI assumes no liability for applications assistance or customer product design. Customers are responsible for their products and applications using TI components. To minimize the risks associated with customer products and applications, customers should provide adequate design and operating safeguards.

TI does not warrant or represent that any license, either express or implied, is granted under any TI patent right, copyright, mask work right, or other TI intellectual property right relating to any combination, machine, or process in which TI products or services are used. Information published by TI regarding third-party products or services does not constitute a license from TI to use such products or services or a warranty or endorsement thereof. Use of such information may require a license from a third party under the patents or other intellectual property of the third party, or a license from TI under the patents or other intellectual property of TI.

Reproduction of information in TI data books or data sheets is permissible only if reproduction is without alteration and is accompanied by all associated warranties, conditions, limitations, and notices. Reproduction of this information with alteration is an unfair and deceptive business practice. TI is not responsible or liable for such altered documentation.

Resale of TI products or services with statements different from or beyond the parameters stated by TI for that product or service voids all express and any implied warranties for the associated TI product or service and is an unfair and deceptive business practice. TI is not responsible or liable for any such statements.

TI products are not authorized for use in safety-critical applications (such as life support) where a failure of the TI product would reasonably be expected to cause severe personal injury or death, unless officers of the parties have executed an agreement specifically governing such use. Buyers represent that they have all necessary expertise in the safety and regulatory ramifications of their applications, and acknowledge and agree that they are solely responsible for all legal, regulatory and safety-related requirements concerning their products and any use of TI products in such safety-critical applications, notwithstanding any applications-related information or support that may be provided by TI. Further, Buyers must fully indemnify TI and its representatives against any damages arising out of the use of TI products in such safety-critical applications.

TI products are neither designed nor intended for use in military/aerospace applications or environments unless the TI products are specifically designated by TI as military-grade or "enhanced plastic." Only products designated by TI as military-grade meet military specifications. Buyers acknowledge and agree that any such use of TI products which TI has not designated as military-grade is solely at the Buyer's risk, and that they are solely responsible for compliance with all legal and regulatory requirements in connection with such use.

TI products are neither designed nor intended for use in automotive applications or environments unless the specific TI products are designated by TI as compliant with ISO/TS 16949 requirements. Buyers acknowledge and agree that, if they use any non-designated products in automotive applications, TI will not be responsible for any failure to meet such requirements.

Following are URLs where you can obtain information on other Texas Instruments products and application solutions:

| Products | | Applications | |
|-----------------------|--|---------------------|--|
| Amplifiers | amplifier.ti.com | Audio | www.ti.com/audio |
| Data Converters | dataconverter.ti.com | Automotive | www.ti.com/automotive |
| DSP | dsp.ti.com | Broadband | www.ti.com/broadband |
| Interface | interface.ti.com | Digital Control | www.ti.com/digitalcontrol |
| Logic | logic.ti.com | Military | www.ti.com/military |
| Power Mgmt | power.ti.com | Optical Networking | www.ti.com/opticalnetwork |
| Microcontrollers | microcontroller.ti.com | Security | www.ti.com/security |
| RFID | www.ti-rfid.com | Telephony | www.ti.com/telephony |
| Low Power Wireless | www.ti.com/lpw | Video & Imaging | www.ti.com/video |
| | | Wireless | www.ti.com/wireless |

Mailing Address: Texas Instruments, Post Office Box 655303, Dallas, Texas 75265
Copyright © 2007, Texas Instruments Incorporated