



STK4131V

AF Power Amplifier (Split Power Supply) (20 W + 20 W min, THD = 0.08%)

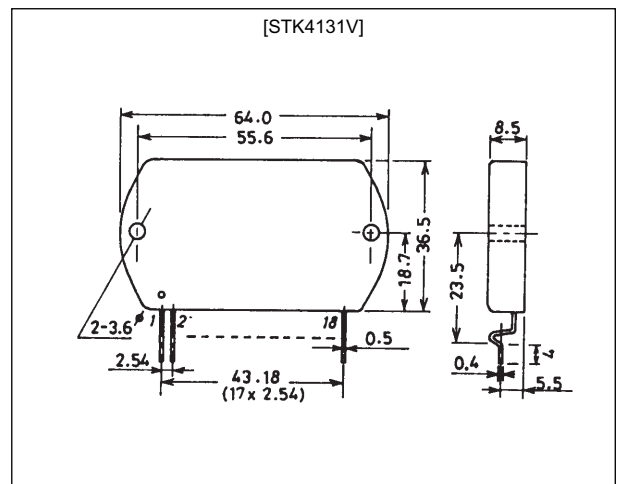
Features

- Built-in muting circuit cuts off various kinds of pop noises.
- Current mirror circuit provides low distortion (THD = 0.08%).
- Pin compatible with the STK4102II series, forming a series of products with output powers from 15 W/ch to 120 W/ch.

Package Dimensions

unit : mm

4040



Specifications

Maximum Ratings at Ta = 25°C

Parameter	Symbol	Condition	Rating	Unit
Maximum supply voltage	$V_{CC \text{ max}}$		± 37	V
Thermal resistance	θ_{j-c}		2.6	°C/W
Junction temperature	$T_j \text{ max}$		150	°C
Operating case temperature	T_c		125	°C
Storage temperature	T_{stg}		-30 to +125	°C
Available time for load shorted	t_s	$V_{CC} = \pm 24.5 \text{ V}$, $R_L = 8 \Omega$, $f = 50 \text{ Hz}$, $P_O = 20 \text{ W}$	2	s

Recommended Operating Conditions at Ta = 25°C

Parameter	Symbol	Condition	Rating	Unit
Recommended supply voltage	V_{CC}		± 24.5	V
Load resistance	R_L		8	Ω

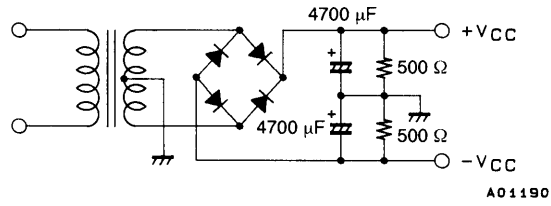
Operating Characteristics

at Ta = 25°C, $V_{CC} = \pm 24.5 \text{ V}$, $R_L = 8 \Omega$, $R_g = 600 \Omega$, $V_G = 40 \text{ dB}$, R_L : non-inductive load

Parameter	Symbol	Condition	Rating			Unit
			min	typ	max	
Quiescent current	I_{CCO}	$V_{CC} = \pm 29.5 \text{ V}$	20	40	100	mA
Output power	$P_O (1)$	THD = 0.08%, $f = 20 \text{ Hz to } 20 \text{ kHz}$	20			W
	$P_O (2)$	$V_{CC} = \pm 21.5 \text{ V}$, THD = 0.2%, $R_L = 4 \Omega$, $f = 1 \text{ kHz}$	20			W
Total harmonic distortion	THD	$P_O = 1 \text{ W}$, $f = 1 \text{ kHz}$			0.08	%
Frequency response	f_L, f_H	$P_O = 1 \text{ W}$, $+0$ -3 dB		20 to 50 k		Hz
Input resistance	r_i	$P_O = 1 \text{ W}$, $f = 1 \text{ kHz}$		55		k Ω
Output noise voltage	V_{NO}	$V_{CC} = \pm 29.5 \text{ V}$, $R_g = 10 \text{ k}\Omega$			1.2	mVrms
Neutral voltage	V_N	$V_{CC} = \pm 29.5 \text{ V}$	-70	0	+70	mV
Muting voltage	V_M		-2	-5	-10	V

SANYO Electric Co., Ltd. Semiconductor Business Headquarters

TOKYO OFFICE Tokyo Bldg., 1-10, 1 Chome, Ueno, Taito-ku, TOKYO, 110 JAPAN

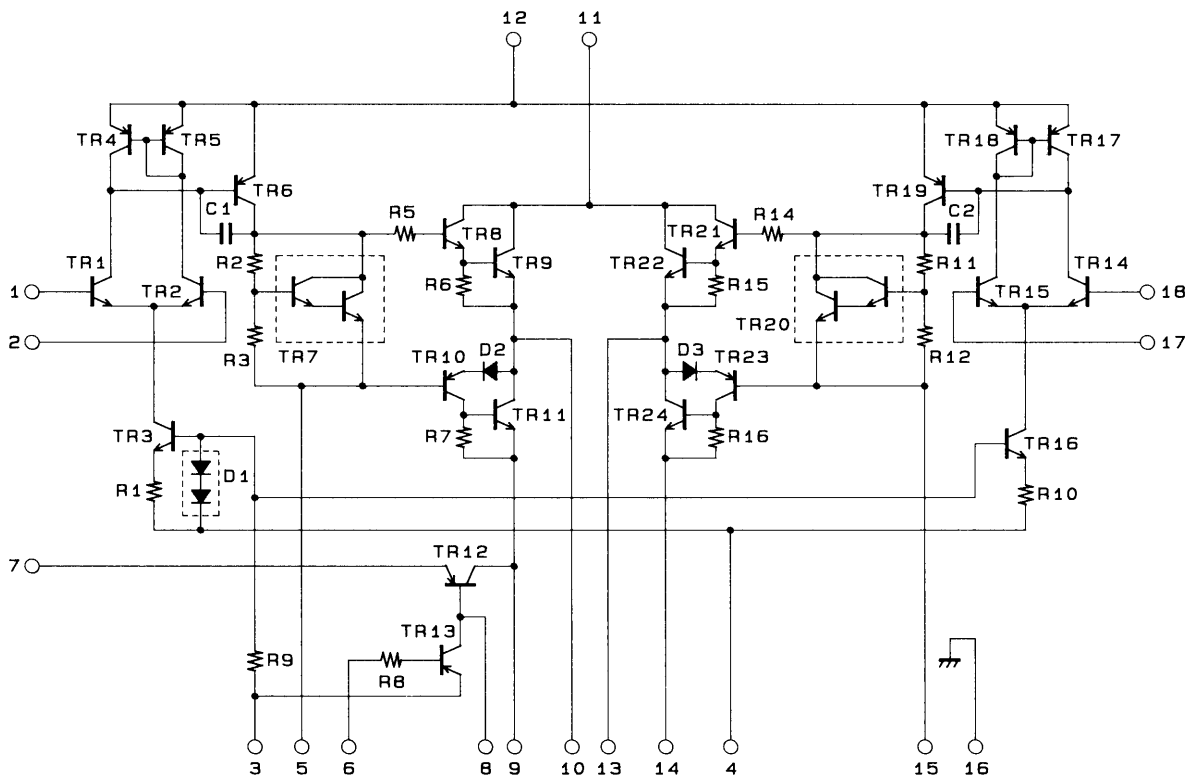


Specified Transformer Power Supply (RP-25 equivalent)

Notes

- Use a constant voltage power supply for the test power supply unless otherwise noted.
- Use the transformer power supply shown in the figure above when measuring the available time for load shorted and the output noise voltage.
- The output noise voltage is the peak value measured with an averaging rms scale volt meter (VTVM). A 50 Hz AC stabilized power supply should be used to eliminate the effects of AC primary line flicker noise when an AC power supply is used.

Equivalent Circuit



A01191

