

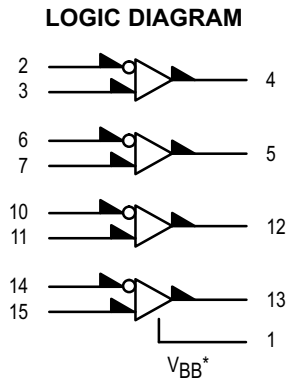
Quad MECL to TTL Translator

The MC10125 is a quad translator for interfacing data and control signals between the MECL section and saturated logic sections of digital systems. The MC10125 incorporates differential inputs and Schottky TTL "totem pole" outputs. Differential inputs allow for use as an inverting/ non-inverting translator or as a differential line receiver. The V_{BB} reference voltage is available on pin 1 for use in single-ended input biasing. The outputs of the MC10125 go to a low logic level whenever the inputs are left floating.

Power supply requirements are ground, +5.0 Volts and -5.2 Volts. Propagation delay of the MC10125 is typically 4.5 ns. The MC10125 has fanout of 10 TTL loads. The dc levels are MECL 10,000 in and Schottky TTL, or TTL out. This device has an input common mode noise rejection of ± 1.0 Volt.

An advantage of this device is that MECL level information can be received, via balanced twisted pair lines, in the TTL equipment. This isolates the MECL logic from the noisy TTL environment. This device is useful in computers, instrumentation, peripheral controllers, test equipment and digital communications systems.

$P_D = 380$ mW typ/pkg (No Load)
 $t_{pd} = 4.5$ ns typ (50% to + 1.5 Vdc out)
 $t_r, t_f = 2.5$ ns typ (1.0 V to 2.0 V)



Gnd = PIN 16
 V_{CC} (+5.0Vdc) = PIN 9
 V_{EE} (-5.2Vdc) = PIN 8

* V_{BB} to be used to supply bias to the MC10125 only and bypassed (when used) with 0.01 μ F to 0.1 μ F capacitor to ground (0 V). V_{BB} can source < 1.0 mA.
 When the input pin with the bubble goes positive, the output goes negative.

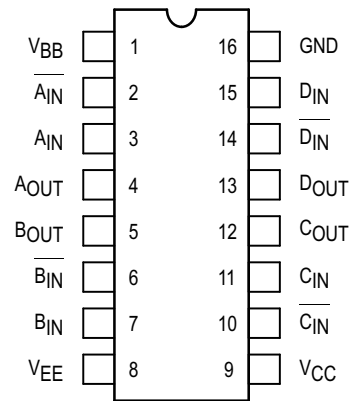


L SUFFIX
CERAMIC PACKAGE
CASE 620-10

P SUFFIX
PLASTIC PACKAGE
CASE 648-08

FN SUFFIX
PLCC
CASE 775-02

**DIP
PIN ASSIGNMENT**



Pin assignment is for Dual-in-Line Package.
 For PLCC pin assignment, see the Pin Conversion Tables on page 6-11 of the Motorola MECL Data Book (DL122/D).



ELECTRICAL CHARACTERISTICS

| Characteristic | Symbol | Pin Under Test | Test Limits | | | | | | Unit | |
|---------------------------------------|-------------|----------------|-------------|--------|--------|-----|--------|--------|--------|-----------|
| | | | -30°C | | +25°C | | | +85°C | | |
| | | | Min | Max | Min | Typ | Max | Min | | Max |
| Negative Power Supply Drain Current | I_E | 8 | | -44 | | | -40 | | -44 | mAdc |
| Positive Power Supply Drain Current | I_{CCH} | 9 | | 52 | | | 52 | | 52 | mAdc |
| | I_{CCL} | 9 | | 39 | | | 39 | | 39 | mAdc |
| Input Current | I_{inH}^1 | 2 | | 180 | | | 115 | | 115 | μ Adc |
| Input Leakage Current | I_{CBO} | 2 | | 1.5 | | | 1.0 | | 1.0 | μ Adc |
| High Output Voltage | V_{OH} | 4 | 2.5 | | 2.5 | | | 2.5 | | Vdc |
| Low Output Voltage | V_{OL} | 4 | | 0.5 | | | 0.5 | | 0.5 | Vdc |
| High Threshold Voltage | V_{OHA} | 4 | 2.5 | | 2.5 | | | 2.5 | | Vdc |
| Low Threshold Voltage | V_{OLA} | 4 | | 0.5 | | | 0.5 | | 0.5 | Vdc |
| Indeterminate Input Protection Tests | V_{OLS1} | 4 | | 0.5 | | | 0.5 | | 0.5 | Vdc |
| | V_{OLS2} | 4 | | 0.5 | | | 0.5 | | 0.5 | Vdc |
| Short Circuit Current | I_{OS} | 4 | 40 | 100 | 40 | | 100 | 40 | 100 | mAdc |
| Reference Voltage | V_{BB} | 1 | -1.420 | -1.280 | -1.350 | | -1.230 | -1.295 | -1.150 | Vdc |
| Common Mode Rejection Tests | V_{OH} | 4 | 2.5 | | 2.5 | | | 2.5 | | Vdc |
| | | 4 | 2.5 | | 2.5 | | | 2.5 | | Vdc |
| | V_{OL} | 4 | | 0.5 | | | 0.5 | | 0.5 | Vdc |
| | | 4 | | 0.5 | | | 0.5 | | 0.5 | Vdc |
| Switching Times (50 Ω Load) | | | | | | | | | | ns |
| Propagation Delay (50% to +1.5Vdc) | t_{6+5-} | 5 | 1.0 | 6.0 | 1.0 | 4.5 | 6.0 | 1.0 | 6.0 | |
| | t_{6-5+} | 5 | 1.0 | 6.0 | 1.0 | 4.5 | 6.0 | 1.0 | 6.0 | |
| | t_{2+4-} | 4 | 1.0 | 6.0 | 1.0 | 4.5 | 6.0 | 1.0 | 6.0 | |
| | t_{2-4+} | 4 | 1.0 | 6.0 | 1.0 | 4.5 | 6.0 | 1.0 | 6.0 | |
| Rise Time (+1.0V to 2.0V) | t_{4+} | 4 | | 3.3 | | | 3.3 | | 3.3 | |
| Fall Time (+1.0V to 2.0V) | t_{4-} | 4 | | 3.3 | | | 3.3 | | 3.3 | |

1. Individually test each output, apply V_{IHmax} to pin under test.

ELECTRICAL CHARACTERISTICS (continued)

| @ Test Temperature | | | TEST VOLTAGE VALUES (Volts) | | | | | | Gnd | Output Condition |
|---------------------------------------|-------------------------------|----------------|---|--------------------|---------------------|---------------------|------------------|------------------|-------|------------------|
| | | | V _{IHmax} | V _{ILmin} | V _{IHAmin} | V _{ILAmax} | V _{IHH} | V _{ILH} | | |
| -30°C | | | -0.890 | -1.890 | -1.205 | -1.500 | +0.110 | -0.890 | | |
| +25°C | | | -0.810 | -1.850 | -1.105 | -1.475 | +0.190 | -0.850 | | |
| +85°C | | | -0.700 | -1.825 | -1.035 | -1.440 | +0.300 | -0.825 | | |
| Characteristic | Symbol | Pin Under Test | TEST VOLTAGE APPLIED TO PINS LISTED BELOW | | | | | | Gnd | Output Condition |
| | | | V _{IHmax} | V _{ILmin} | V _{IHAmin} | V _{ILAmax} | V _{IHH} | V _{ILH} | | |
| Negative Power Supply Drain Current | I _E | 8 | | | | | | | 16 | |
| Positive Power Supply Drain Current | I _{CCH} | 9 | 2,6,10,14 | | | | | | 16 | |
| | I _{CCL} | 9 | | 2,6,10,14 | | | | | 16 | |
| Input Current | I _{inH} ¹ | 2 | 2,6,10,14 | | | | | | 16 | |
| Input Leakage Current | I _{CBO} | 2 | | | | | | | 16 | |
| High Output Voltage | V _{OH} | 4 | | 2,6,10,14 | | | | | 16 | -2.0mA |
| Low Output Voltage | V _{OL} | 4 | 2,6,10,14 | | | | | | 16 | 20mA |
| High Threshold Voltage | V _{OHA} | 4 | | 6,10,14 | | 2 | | | 16 | -2.0mA |
| Low Threshold Voltage | V _{OLA} | 4 | 6,10,14 | | 2 | | | | 16 | 20mA |
| Indeterminate Input Protection Tests | V _{OLS1} | 4 | | | | | | | 16 | 20mA |
| | V _{OLS2} | 4 | | | | | | | 16 | 20mA |
| Short Circuit Current | I _{OS} | 4 | | 2,6,10,14 | | | | | 4, 16 | |
| Reference Voltage | V _{BB} | 1 | | 2,6,10,14 | | | | | | |
| Common Mode Rejection Tests | V _{OH} | 4 | | | | | 3 | 2 | 16 | -2.0mA |
| | | 4 | | | | | | | 16 | -2.0mA |
| | V _{OL} | 4 | | | | | 2 | 3 | 16 | 20mA |
| | | 4 | | | | | | | 16 | 20mA |
| Switching Times (50Ω Load) | | | Pulse In | Pulse Out | C _L (pF) | | | | | |
| Propagation Delay (50% to +1.5Vdc) | t ₆₊₅₋ | 5 | 6 | 5 | 25 | | | | 16 | |
| | t ₆₋₅₊ | 5 | 6 | 5 | 25 | | | | 16 | |
| | t ₂₊₄₋ | 4 | 2 | 4 | 25 | | | | 16 | |
| | t ₂₋₄₊ | 4 | 2 | 4 | 25 | | | | 16 | |
| Rise Time (+1.0V to 2.0V) | t ₄₊ | 4 | 2 | 4 | 25 | | | | 16 | |
| Fall Time (+1.0V to 2.0V) | t ₄₋ | 4 | 2 | 4 | 25 | | | | 16 | |

1. Individually test each output, apply V_{IHmax} to pin under test.

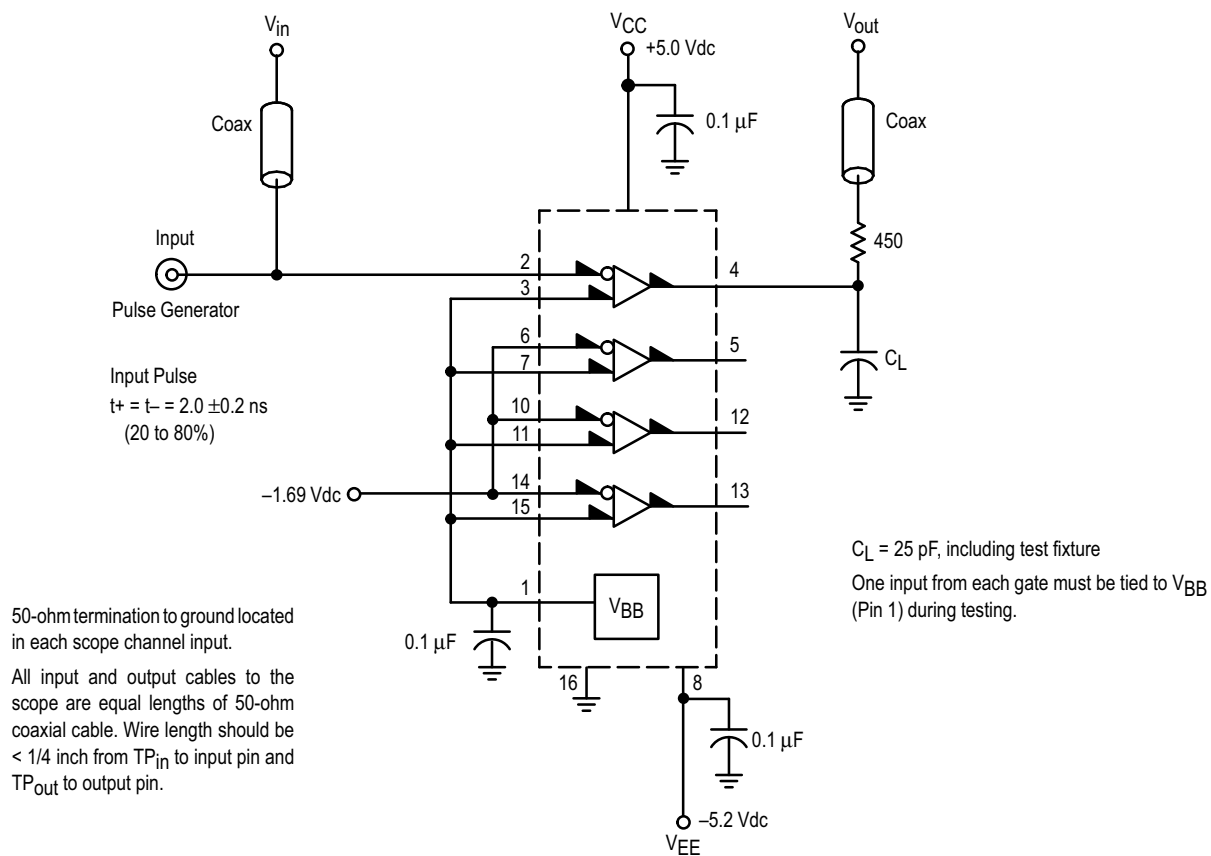
ELECTRICAL CHARACTERISTICS (continued)

| @ Test Temperature | | | TEST VOLTAGE VALUES (Volts) | | | | | Gnd | Output Condition |
|--------------------------------------|-------------------------------|----------------|---|------------------|------------------------------------|-----------------|-----------------------|-------|------------------|
| | | | V _{IHH} | V _{ILH} | V _B From Pin 1 | V _{CC} | V _{VEE} | | |
| | | | -30°C | -2.890 | | +5.0 | -5.2 | | |
| | | | +25°C | -2.850 | | +5.0 | -5.2 | | |
| +85°C | -1.700 | -2.825 | +5.0 | -5.2 | | | | | |
| Characteristic | Symbol | Pin Under Test | TEST VOLTAGE APPLIED TO PINS LISTED BELOW | | | | | Gnd | Output Condition |
| | | | V _{IHH} | V _{ILH} | V _B | V _{CC} | V _{VEE} | | |
| Negative Power Supply Drain Current | I _E | 8 | | | 3,7,11,15 | 9 | 8 | 16 | |
| Positive Power Supply Drain Current | I _{CCH} | 9 | | | 3,7,11,15 | 9 | 8 | 16 | |
| | I _{CCL} | 9 | | | 3,7,11,15 | 9 | 8 | 16 | |
| Input Current | I _{inH} ¹ | 2 | | | 3,7,11,15 | 9 | 8 | 16 | |
| Input Leakage Current | I _{CBO} | 2 | | | 3,7,11,15 | 9 | 2,6,8,10,14 | 16 | |
| High Output Voltage | V _{OH} | 4 | | | 3,7,11,15 | 9 | 8 | 16 | -2.0mA |
| Low Output Voltage | V _{OL} | 4 | | | 3,7,11,15 | 9 | 8 | 16 | 20mA |
| High Threshold Voltage | V _{OHA} | 4 | | | 3,7,11,15 | 9 | 8 | 16 | -2.0mA |
| Low Threshold Voltage | V _{OLA} | 4 | | | 3,7,11,15 | 9 | 8 | 16 | 20mA |
| Indeterminate Input Protection Tests | V _{OLS1} | 4 | | | | 9 | 2,3,6,7,8,10,11,14,15 | 16 | 20mA |
| | V _{OLS2} | 4 | | | | 9 | 8 | 16 | 20mA |
| Short Circuit Current | I _{OS} | 4 | | | 3,7,11,15 | 9 | 8 | 4, 16 | |
| Reference Voltage | V _B | 1 | | | 3,7,11,15 | | | | |
| Common Mode Rejection Tests | V _{OH} | 4 | | | | 9 | 8 | 16 | -2.0mA |
| | | 4 | 3 | 2 | | 9 | 8 | 16 | -2.0mA |
| | V _{OL} | 4 | | | | 9 | 8 | 16 | 20mA |
| | | 4 | 2 | 3 | | 9 | 8 | 16 | 20mA |
| Switching Times (50Ω Load) | | | | | | | | | |
| Propagation Delay (50% to +1.5Vdc) | t ₆₊₅₋ | 5 | | | 3,7,11,15 | 9 | 8 | 16 | |
| | t ₆₋₅₊ | 5 | | | 3,7,11,15 | 9 | 8 | 16 | |
| | t ₂₊₄₋ | 4 | | | 3,7,11,15 | 9 | 8 | 16 | |
| | t ₂₋₄₊ | 4 | | | 3,7,11,15 | 9 | 8 | 16 | |
| Rise Time (+1.0V to 2.0V) | t ₄₊ | 4 | | | 3,7,11,15 | 9 | 8 | 16 | |
| Fall Time (+1.0V to 2.0V) | t ₄₋ | 4 | | | 3,7,11,15 | 9 | 8 | 16 | |

1. Individually test each output, apply V_{IHmax} to pin under test.

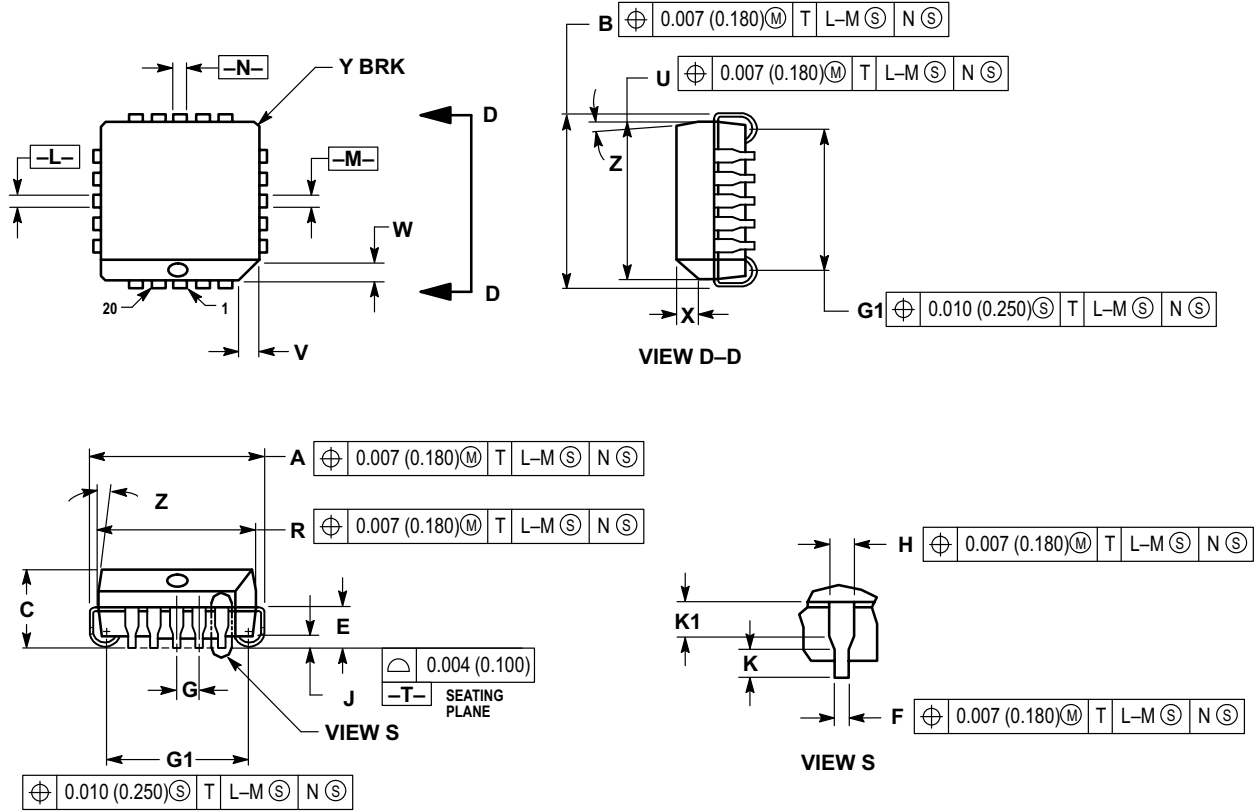
Each MECL 10,000 series circuit has been designed to meet the dc specifications shown in the test table, after thermal equilibrium has been established. The circuit is in a test socket or mounted on a printed circuit board and transverse air flow greater than 500 linear fpm is maintained. Outputs are terminated through a 50-ohm resistor to -2.0 volts. Test procedures are shown for only one gate. The other gates are tested in the same manner.

SWITCHING TIME TEST CIRCUIT



OUTLINE DIMENSIONS

FN SUFFIX
 PLASTIC PLCC PACKAGE
 CASE 775-02
 ISSUE C



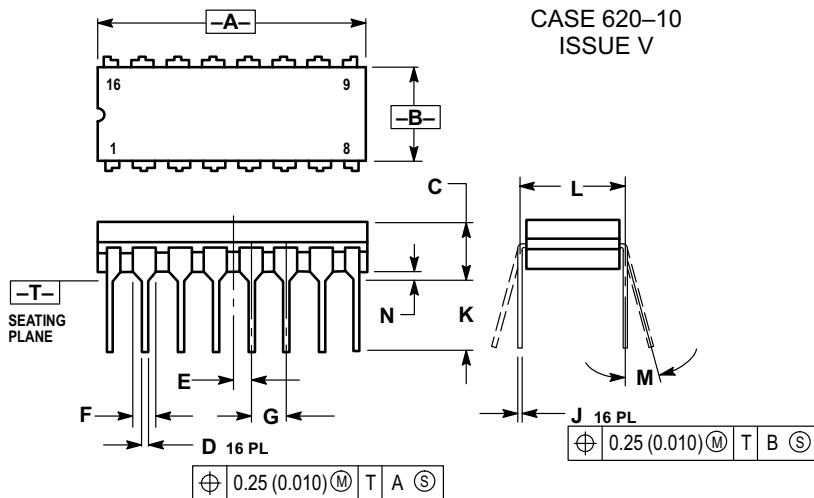
NOTES:

- DATUMS -L-, -M-, AND -N- DETERMINED WHERE TOP OF LEAD SHOULDER EXITS PLASTIC BODY AT MOLD PARTING LINE.
- DIMENSION G1, TRUE POSITION TO BE MEASURED AT DATUM -T-, SEATING PLANE.
- DIMENSIONS R AND U DO NOT INCLUDE MOLD FLASH. ALLOWABLE MOLD FLASH IS 0.010 (0.250) PER SIDE.
- DIMENSIONING AND TOLERANCING PER ANSI Y14.5M, 1982.
- CONTROLLING DIMENSION: INCH.
- THE PACKAGE TOP MAY BE SMALLER THAN THE PACKAGE BOTTOM BY UP TO 0.012 (0.300). DIMENSIONS R AND U ARE DETERMINED AT THE OUTERMOST EXTREMES OF THE PLASTIC BODY EXCLUSIVE OF MOLD FLASH, TIE BAR BURRS, GATE BURRS AND INTERLEAD FLASH, BUT INCLUDING ANY MISMATCH BETWEEN THE TOP AND BOTTOM OF THE PLASTIC BODY.
- DIMENSION H DOES NOT INCLUDE DAMBAR PROTRUSION OR INTRUSION. THE DAMBAR PROTRUSION(S) SHALL NOT CAUSE THE H DIMENSION TO BE GREATER THAN 0.037 (0.940). THE DAMBAR INTRUSION(S) SHALL NOT CAUSE THE H DIMENSION TO BE SMALLER THAN 0.025 (0.635).

| DIM | INCHES | | MILLIMETERS | |
|-----|-----------|-------|-------------|-------|
| | MIN | MAX | MIN | MAX |
| A | 0.385 | 0.395 | 9.78 | 10.03 |
| B | 0.385 | 0.395 | 9.78 | 10.03 |
| C | 0.165 | 0.180 | 4.20 | 4.57 |
| E | 0.090 | 0.110 | 2.29 | 2.79 |
| F | 0.013 | 0.019 | 0.33 | 0.48 |
| G | 0.050 BSC | | 1.27 BSC | |
| H | 0.026 | 0.032 | 0.66 | 0.81 |
| J | 0.020 | — | 0.51 | — |
| K | 0.025 | — | 0.64 | — |
| R | 0.350 | 0.356 | 8.89 | 9.04 |
| U | 0.350 | 0.356 | 8.89 | 9.04 |
| V | 0.042 | 0.048 | 1.07 | 1.21 |
| W | 0.042 | 0.048 | 1.07 | 1.21 |
| X | 0.042 | 0.056 | 1.07 | 1.42 |
| Y | — | 0.020 | — | 0.50 |
| Z | 2° | 10° | 2° | 10° |
| G1 | 0.310 | 0.330 | 7.88 | 8.38 |
| K1 | 0.040 | — | 1.02 | — |

OUTLINE DIMENSIONS

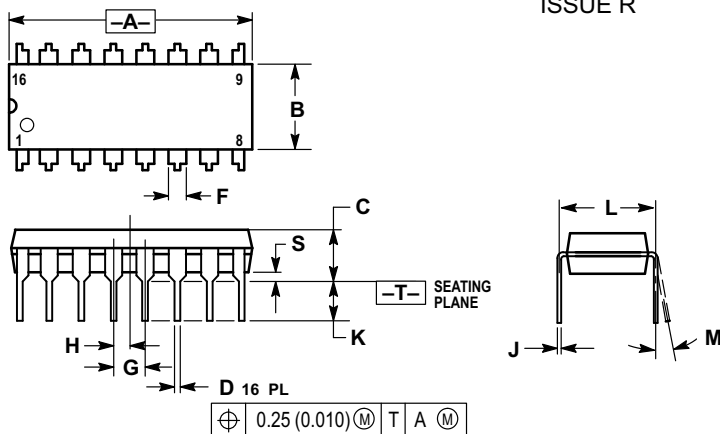
L SUFFIX
CERAMIC DIP PACKAGE
CASE 620-10
ISSUE V



- NOTES:
1. DIMENSIONING AND TOLERANCING PER ANSI Y14.5M, 1982.
 2. CONTROLLING DIMENSION: INCH.
 3. DIMENSION L TO CENTER OF LEAD WHEN FORMED PARALLEL.
 4. DIMENSION F MAY NARROW TO 0.76 (0.030) WHERE THE LEAD ENTERS THE CERAMIC BODY.

| DIM | INCHES | | MILLIMETERS | |
|-----|-----------|-------|-------------|-------|
| | MIN | MAX | MIN | MAX |
| A | 0.750 | 0.785 | 19.05 | 19.93 |
| B | 0.240 | 0.295 | 6.10 | 7.49 |
| C | — | 0.200 | — | 5.08 |
| D | 0.015 | 0.020 | 0.39 | 0.50 |
| E | 0.050 BSC | | 1.27 BSC | |
| F | 0.055 | 0.065 | 1.40 | 1.65 |
| G | 0.100 BSC | | 2.54 BSC | |
| H | 0.008 | 0.015 | 0.21 | 0.38 |
| K | 0.125 | 0.170 | 3.18 | 4.31 |
| L | 0.300 BSC | | 7.62 BSC | |
| M | 0° | 15° | 0° | 15° |
| N | 0.020 | 0.040 | 0.51 | 1.01 |

P SUFFIX
PLASTIC DIP PACKAGE
CASE 648-08
ISSUE R



- NOTES:
1. DIMENSIONING AND TOLERANCING PER ANSI Y14.5M, 1982.
 2. CONTROLLING DIMENSION: INCH.
 3. DIMENSION L TO CENTER OF LEADS WHEN FORMED PARALLEL.
 4. DIMENSION B DOES NOT INCLUDE MOLD FLASH.
 5. ROUNDED CORNERS OPTIONAL.

| DIM | INCHES | | MILLIMETERS | |
|-----|-----------|-------|-------------|-------|
| | MIN | MAX | MIN | MAX |
| A | 0.740 | 0.770 | 18.80 | 19.55 |
| B | 0.250 | 0.270 | 6.35 | 6.85 |
| C | 0.145 | 0.175 | 3.69 | 4.44 |
| D | 0.015 | 0.021 | 0.39 | 0.53 |
| F | 0.040 | 0.70 | 1.02 | 1.77 |
| G | 0.100 BSC | | 2.54 BSC | |
| H | 0.050 BSC | | 1.27 BSC | |
| J | 0.008 | 0.015 | 0.21 | 0.38 |
| K | 0.110 | 0.130 | 2.80 | 3.30 |
| L | 0.295 | 0.305 | 7.50 | 7.74 |
| M | 0° | 10° | 0° | 10° |
| S | 0.020 | 0.040 | 0.51 | 1.01 |

Motorola reserves the right to make changes without further notice to any products herein. Motorola makes no warranty, representation or guarantee regarding the suitability of its products for any particular purpose, nor does Motorola assume any liability arising out of the application or use of any product or circuit, and specifically disclaims any and all liability, including without limitation consequential or incidental damages. "Typical" parameters which may be provided in Motorola data sheets and/or specifications can and do vary in different applications and actual performance may vary over time. All operating parameters, including "Typicals" must be validated for each customer application by customer's technical experts. Motorola does not convey any license under its patent rights nor the rights of others. Motorola products are not designed, intended, or authorized for use as components in systems intended for surgical implant into the body, or other applications intended to support or sustain life, or for any other application in which the failure of the Motorola product could create a situation where personal injury or death may occur. Should Buyer purchase or use Motorola products for any such unintended or unauthorized application, Buyer shall indemnify and hold Motorola and its officers, employees, subsidiaries, affiliates, and distributors harmless against all claims, costs, damages, and expenses, and reasonable attorney fees arising out of, directly or indirectly, any claim of personal injury or death associated with such unintended or unauthorized use, even if such claim alleges that Motorola was negligent regarding the design or manufacture of the part. Motorola and M are registered trademarks of Motorola, Inc. Motorola, Inc. is an Equal Opportunity/Affirmative Action Employer.

How to reach us:

USA/EUROPE/Locations Not Listed: Motorola Literature Distribution; P.O. Box 20912; Phoenix, Arizona 85036. 1-800-441-2447 or 602-303-5454

JAPAN: Nippon Motorola Ltd.; Tatsumi-SPD-JLDC, 6F Seibu-Butsuryu-Center, 3-14-2 Tatsumi Koto-Ku, Tokyo 135, Japan. 03-81-3521-8315

MFAX: RMFAX0@email.sps.mot.com - TOUCHTONE 602-244-6609
INTERNET: http://Design-NET.com

ASIA/PACIFIC: Motorola Semiconductors H.K. Ltd.; 8B Tai Ping Industrial Park, 51 Ting Kok Road, Tai Po, N.T., Hong Kong. 852-26629298

