

Fluorescent display tube level meter driver, 16-point × 2 channel, VU scale, bar display

BA6800AF

The BA6800AF is a two-channel, 16-point fluorescent display tube driver for VU-scale bar-level meters. It uses a dynamic-drive system and is provided with both AC and DC inputs. The AC input mode has a peak hold circuit. The IC features a power-on mute, and the output block can directly drive fluorescent display tubes, so few external components are required.

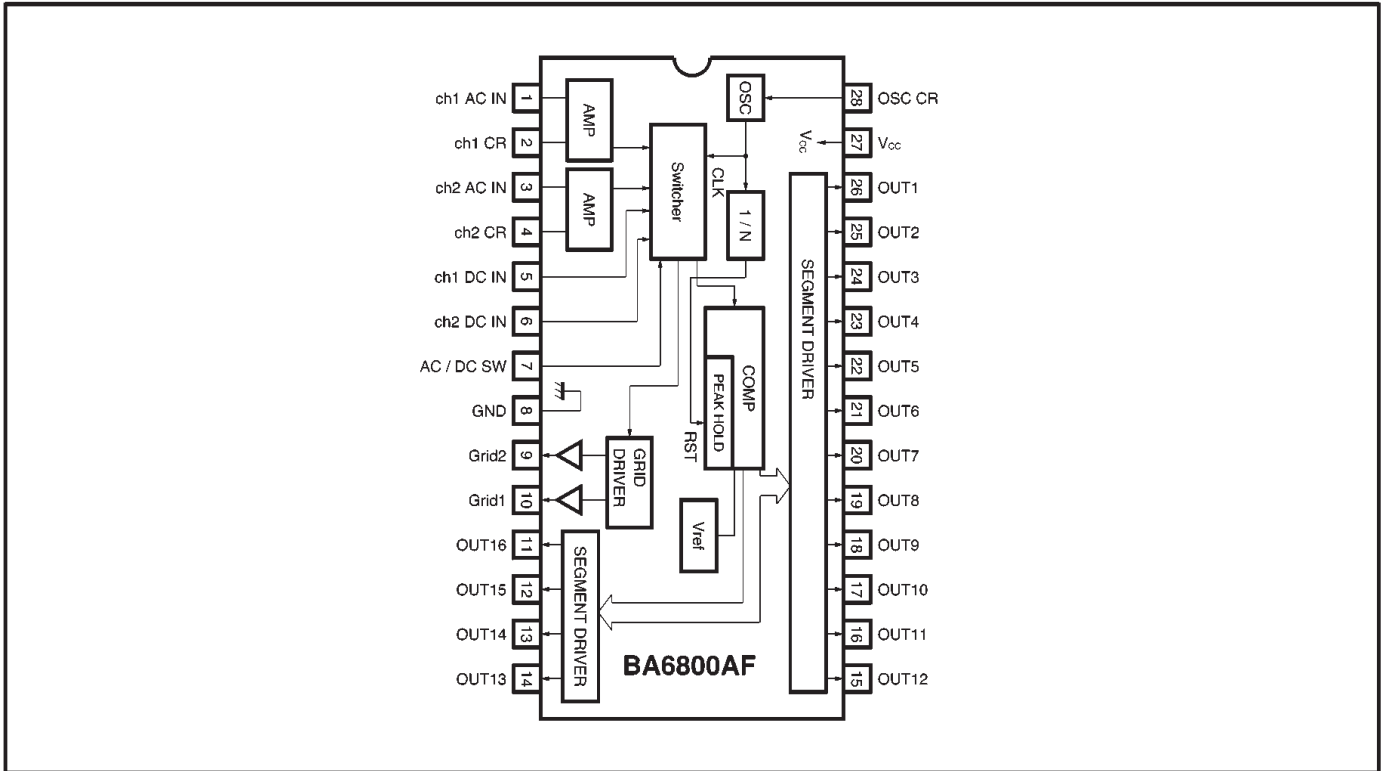
●Applications

Level meters for all types of AV equipment

●Features

- 1) Uses dynamic-drive system to display two 16-point channels. 28-pin SOP package.
- 2) AC and DC inputs provided. Switching function allows two-mode display.
- 3) Upper 12 points have peak hold function in AC mode (two seconds).
- 4) Power-on mute function.
- 5) Dynamic-drive system reduces the power dissipation of the fluorescent display tube power supply.
- 6) Square root compression amplifier built in.

●Block diagram



●Absolute maximum ratings (Ta = 25°C)

| Parameter | Symbol | Limits | Unit |
|-----------------------|-------------------------------------|----------|------|
| Power supply voltage | V _{CC} | 7.0 | V |
| Power dissipation | P _d | 550* | mW |
| Operating temperature | T _{opr} | -20~+70 | °C |
| Storage temperature | T _{stg} | -55~+125 | °C |
| Output voltage | T _{CC1} , +V _{EE} | 36 | V |

* Reduced by 5.5mW for each increase in Ta of 1°C over 25°C.

●Electrical characteristics (unless otherwise noted, Ta = 25°C)

| Parameter | Symbol | Min. | Typ. | Max. | Unit | Conditions |
|-------------------------------|---------------------|------|-------|------|------|------------------------|
| Operating voltage range | V _{CC} | 4.5 | 5.0 | 5.8 | V | — |
| Quiescent current | I _q | — | 17 | 24 | mA | — |
| AC input resistance | R _{INAC} | 175 | 250 | 325 | Ω | Pins 1 and 3 |
| DC input resistance | R _{INDC} | 7 | 10 | 13 | kΩ | — |
| Oscillator frequency | f _{OSC} | 1.7 | 2.0 | 2.3 | kHz | C=0.015 μF, R=30kΩ |
| Peak hold time | T _{hold} | — | 2 | — | s | f _{osc} =2kHz |
| Output duty cycle | Duty | — | 1 / 8 | — | — | f _{osc} =2kHz |
| Grid output low level voltage | V _{GL} | — | 0.4 | 0.8 | V | I _G =5mA |
| Grid output leakage current | I _{G leak} | — | — | 10 | μA | V _{CC} =5V |

●Electrical characteristics (unless otherwise noted, Ta = 25°C)

| Parameter | Symbol | Min. | Typ. | Max. | Unit | Conditions |
|-----------------------------------|--------------------|------|------|------|------|--|
| Segment output high level voltage | V _{OH} | 3.7 | 4.0 | — | V | I _O =2mA |
| Segment output leakage current | I _{Oleak} | — | — | 10 | μA | −V _{EE} =−31V |
| Input switching threshold | V _{TH} | 2.2 | 2.5 | 2.8 | V | AC: pin 7 "H", DC: pin 7 "L" |
| AC sensitivity | V _{INAC} | 250 | 400 | 630 | mV | R _{IN} = 1.5kΩ AC comparator 10 on level |
| Maximum grid output current | I _{GM} | 5 | — | — | mA | V _{OL} =0.8V |
| Maximum segment output current | I _{OM} | 2 | — | — | mA | V _{OH} =3.7V |
| AC comparator level 16 | V _{C16AC} | 8.5 | 10 | 12 | dB | Pin 11 output |
| AC comparator level 15 | V _{C15AC} | 6.0 | 7 | 8.5 | dB | Pin 12 output |
| AC comparator level 14 | V _{C14AC} | 4.0 | 5 | 6.0 | dB | Pin 13 output |
| AC comparator level 13 | V _{C13AC} | 2.5 | 3 | 4.0 | dB | Pin 14 output |
| AC comparator level 12 | V _{C12AC} | 1.5 | 2 | 2.5 | dB | Pin 15 output |
| AC comparator level 11 | V _{C11AC} | 0.5 | 1 | 1.5 | dB | Pin 16 output |
| AC comparator level 10 | V _{C10AC} | — | 0 | — | dB | Pin 17 output |
| AC comparator level 9 | V _{C9AC} | −1.5 | −1 | −0.5 | dB | Pin 18 output |
| AC comparator level 8 | V _{C8AC} | −2.5 | −2 | −1.5 | dB | Pin 19 output |
| AC comparator level 7 | V _{C7AC} | −4.0 | −3 | −2.5 | dB | Pin 20 output |
| AC comparator level 6 | V _{C6AC} | −6.0 | −5 | −4.0 | dB | Pin 21 output |
| AC comparator level 5 | V _{C5AC} | −8.5 | −7 | −6.0 | dB | Pin 22 output |
| AC comparator level 4 | V _{C4AC} | −15 | −10 | −8.5 | dB | Pin 23 output |
| AC comparator level 3 | V _{C3AC} | −25 | −20 | −15 | dB | Pin 24 output |
| AC comparator level 2 | V _{C2AC} | −35 | −30 | −25 | dB | Pin 25 output |
| AC comparator level 1 | V _{C1AC} | −55 | −40 | −35 | dB | Pin 26 output |
| DC comparator level 16 | V _{C16DC} | 2.76 | 3.10 | 3.44 | V | Pin 11 output |
| DC comparator level 15 | V _{C15DC} | 2.35 | 2.64 | 2.93 | V | Pin 12 output |
| DC comparator level 14 | V _{C14DC} | 2.07 | 2.33 | 2.59 | V | Pin 13 output |
| DC comparator level 13 | V _{C13DC} | 1.86 | 2.10 | 2.34 | V | Pin 14 output |
| DC comparator level 12 | V _{C12DC} | 1.79 | 2.03 | 2.27 | V | Pin 15 output |
| DC comparator level 11 | V _{C11DC} | 1.62 | 1.88 | 2.14 | V | Pin 16 output |
| DC comparator level 10 | V _{C10DC} | 1.51 | 1.80 | 2.09 | V | Pin 17 output |
| DC comparator level 9 | V _{C9DC} | 1.40 | 1.71 | 2.02 | V | Pin 18 output |
| DC comparator level 8 | V _{C8DC} | 1.33 | 1.66 | 1.99 | V | Pin 19 output |
| DC comparator level 7 | V _{C7DC} | 1.23 | 1.58 | 1.93 | V | Pin 20 output |
| DC comparator level 6 | V _{C6DC} | 1.07 | 1.41 | 1.75 | V | Pin 21 output |
| DC comparator level 5 | V _{C5DC} | 0.93 | 1.26 | 1.59 | V | Pin 22 output |
| DC comparator level 4 | V _{C4DC} | 0.77 | 1.07 | 1.37 | V | Pin 23 output |
| DC comparator level 3 | V _{C3DC} | 0.42 | 0.60 | 0.78 | V | Pin 24 output |
| DC comparator level 2 | V _{C2DC} | 0.21 | 0.33 | 0.45 | V | Pin 25 output |
| DC comparator level 1 | V _{C1DC} | 0.11 | 0.18 | 0.25 | V | Pin 26 output |

Notes: (1) The value given above for AC comparator level is measured after 0dB point adjustment.
 (2) DC comparator level V_{C (n) DC} (Max.) > V_{C (n+1) DC} (Min.), but when the nth comparator is off, the (n+1)th comparator is never on.

● Measurement circuit

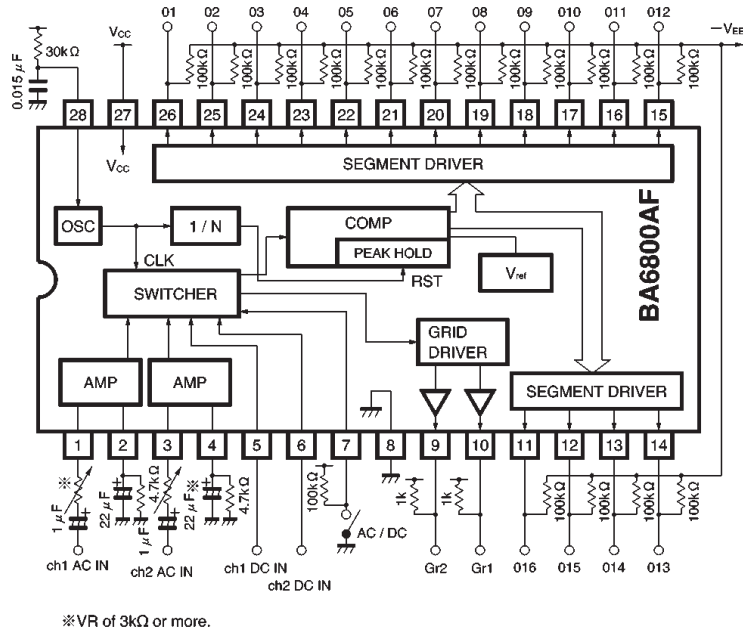


Fig. 1

● Application example

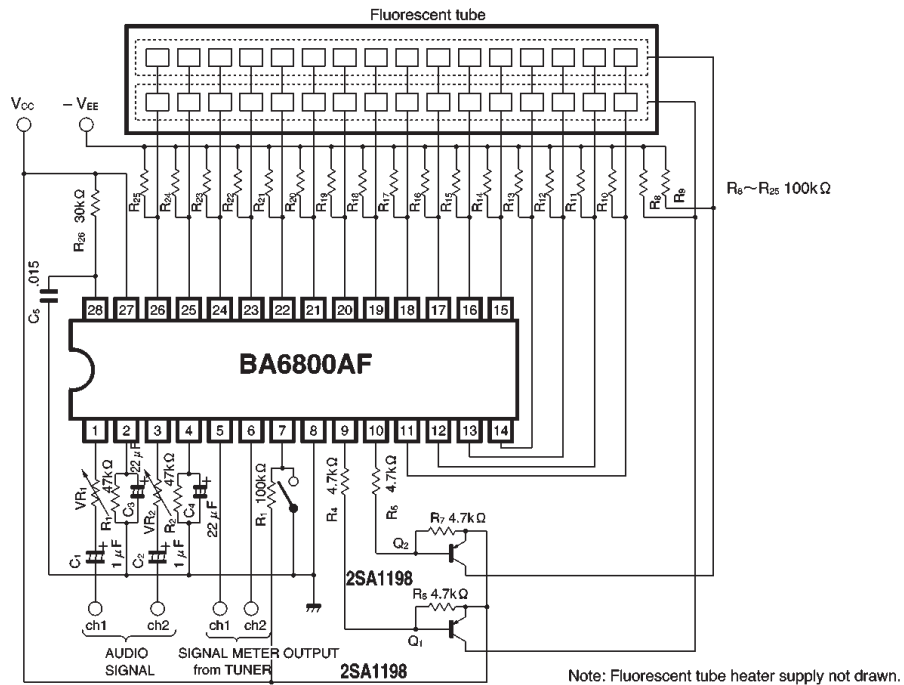


Fig. 2

●Circuit operation

(1) Input block

The AC input pins are pins 1 and 3, and the DC input pins are pins 5 and 6. Pin 7 is used to switch between the AC and DC inputs. When the input to pin 7 is "H", AC input is selected (pins 1 and 3). Therefore, by using pin 7 to switch between the AC and DC modes, the IC can do two jobs. For example, pins 1 and 3 can be used for audio signal input, and pins 5 and 6 can be used as the input for the signal meter output from a tuner (DC).

The AC input impedance of pins 1 and 3 is a low 250Ω (Typ.), so connect potentiometers (VR₁ and VR₂) in series with the inputs to adjust the sensitivity and ch1 and ch2 balance.

(2) Peak hold circuit

The BA6800AF have peak hold circuits that temporarily holds peak signal levels in AC input mode.

The peak hold function can be used with the upper 12 points (5 to 16). The peak hold time depends on the oscillator frequency. It is 2 sec. (Typ.) for an oscillator frequency of 2kHz.

DC mode does not have a peak hold function.

(3) Grid output

The pin 9 and 10 grid outputs are open-collector NPN transistors. The logic is active low (the fluorescent tube lights when the output is "L"), so connect two PNP transistors Q₁ and Q₂ as shown in the application example circuit to drive the fluorescent tubes (see Fig. 3).

(4) Segment output block

Pins 11 to 26 are the segment outputs. The output circuits are open-collector PNP transistors. When grid 1 is "L", the ch1 level is output (pin 1 or 5 input level), and when grid 2 is "L", the ch2 level is output (pin 3 or 6 input level). Refer to Fig. 4.

(5) Grid and segment output timing chart. The grid and segment output timing for an oscillator frequency of 2kHz is shown in Fig. 5.

(6) Attack and release times

The response characteristic for AC input signals is set by resistor R₁ and capacitor C₃ for ch1 and resistor R₂ and capacitor C₄ for ch2 (pins 2 and 4). When R₁ = 47kΩ and C₃ = 22μF, the attack time is about 4ms, and the release time is about 1sec. (same for ch2).

Attack time : Time for the voltage on pins 2 and 4 to rise from 1V to 2.5V when the input goes from no input to 2.6Vrms, then back to no input.

Release time : Time for the voltage on pins 2 and 4 to fall from 2.5V to 1V when the input goes from 2.6Vrms to no input.

(7) Oscillator frequency

The resistor R₂₆ and capacitor C₅ connected to pin 28 determine the oscillator frequency.

The oscillator frequency (f_{osc}) and grid output period (T) are related as follows :

$$T \text{ (ms)} = 16 / f_{\text{osc}} \text{ (kHz)}$$

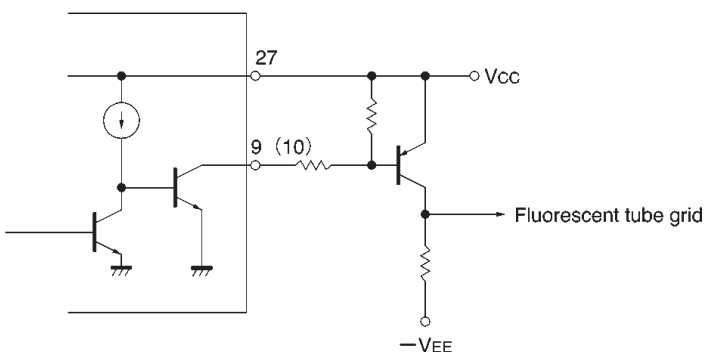
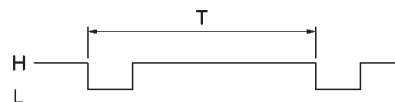


Fig. 3

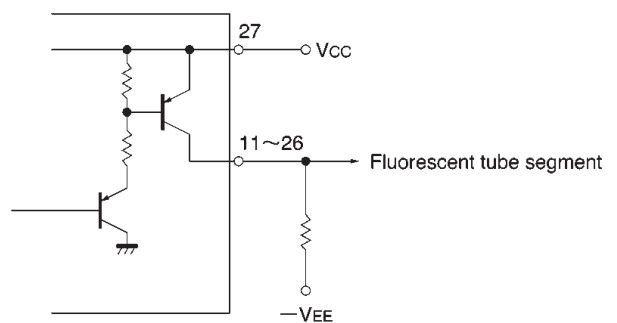


Fig. 4

●Timing chart

BA6800AF

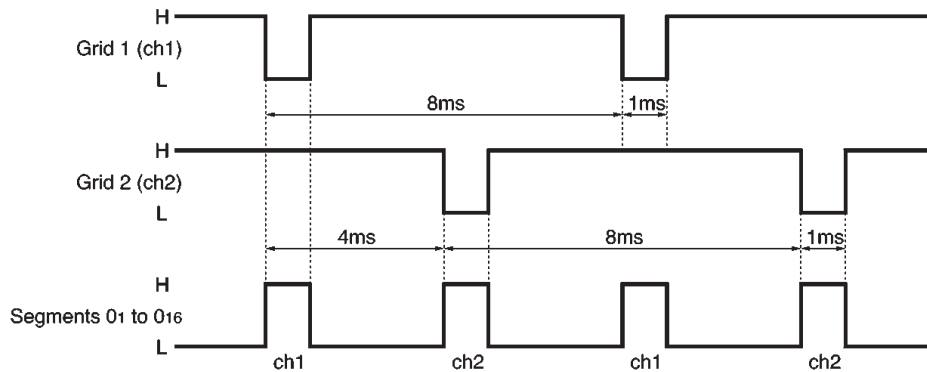


Fig. 5

●Attached components (refer to “Circuit operation”)

C₁ and C₂ : input coupling capacitors.

VR₁ and VR₂ : AC sensitivity adjustment and balance adjustment (3kΩ recommended).

C₃, R₁, C₄ and R₂ : set the response characteristics with respect to the AC input signal. In the example given, the attack time is about 4mS and the release time is about 1sec.

R₃ : Pullup resistor for the input switching terminal (pin 7).

R₆ and R₇ : resistor for the grid leak current path (I_{leak}).

Set so that I_{leak} × R₆ (R₇) < 0.6V.

R₄ and R₅ : base bias resistors for Q₁ and Q₂.

Conditions for base bias current (I_B) flow are V_{CC} = 5V and V_F = 0.6V :

$$\frac{R_4}{R_6} < \frac{5 - 0.6}{0.6} = 7.3$$

the base current is given by the following formula.

$$I_B \text{ (mA)} \doteq \frac{5 - 0.6}{R_4 \text{ (k}\Omega\text{)}} - \frac{0.6}{R_6 \text{ (k}\Omega\text{)}}$$

$$I_B > \frac{\text{Fluorescent tube grid current}}{h_{FE}}$$

Set resistors R₄ and R₆ (R₅ and R₇) so that

Q₁ and Q₂ : grid output inverting transistors. Use transistors for which V_{CEO} > V_{CC} + V_{EE}.

R₈ to R₂₅ : Resistors that reverse bias the segments and grid when the fluorescent tube is not lit.

The application example given is for general cases. Select the resistors to suit the characteristics of the fluorescent tube used.

C₅ and R₂₆ : set the oscillator frequency.

Capacitor C₅ should be a component with good temperature characteristics.

●Operation notes

(1) Adjust the potentiometers VR₁ and VR₂ (connected to pins 1 and 3) to adjust the 0dB input level and the dispersion of ch1 and ch2.

(2) The temperature characteristic for the lighting limit for the 16th LED is shown in Fig. 6.

(3) The external resistor R₂₆ connected to the oscillator (pin 28) should be in the range of 20kΩ and 100kΩ. If it is outside this range, oscillation may stop due to the influence of temperature (see Fig. 7).

●Electrical characteristics curves

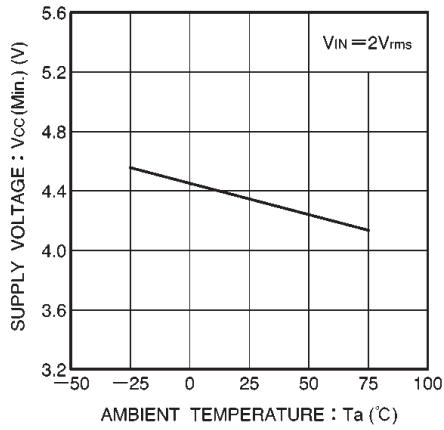


Fig. 6 16th point lighting limit supply voltage vs. ambient temperature

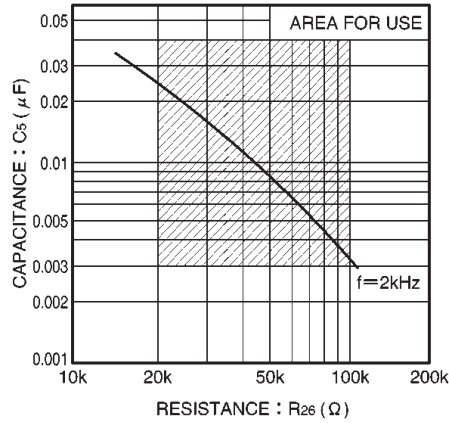


Fig. 7 Value of external components for oscillator (Vcc = 5.0V)

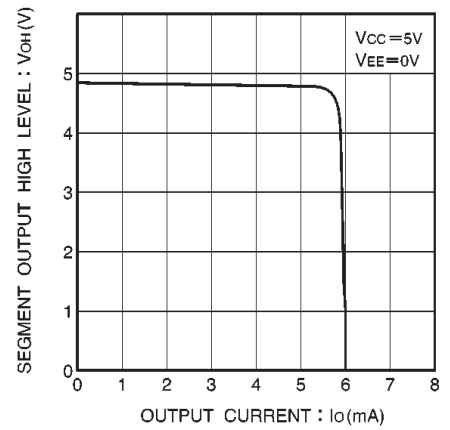


Fig. 8 Segment high level output vs. output current

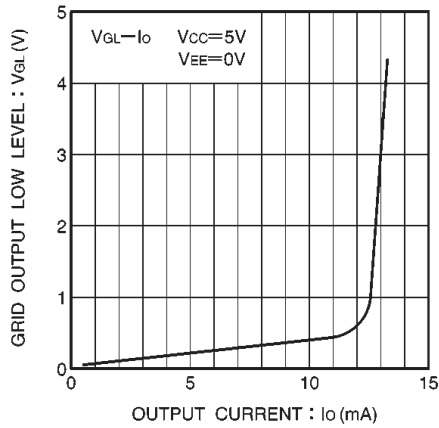


Fig. 9 Grid low level output vs. output current

●External dimensions (Units: mm)

