

MC3470, MC3470A FLOPPY DISK READ-AMPLIFIER SYSTEMS

D2759, NOVEMBER 1983—REVISED FEBRUARY 1988

- Combines All Read-Amplifier Active Circuitry into One Monolithic Circuit
- Peak Shift . . . 2% Max (MC3470A)
- Designed to be Interchangeable with Motorola MC3470

description

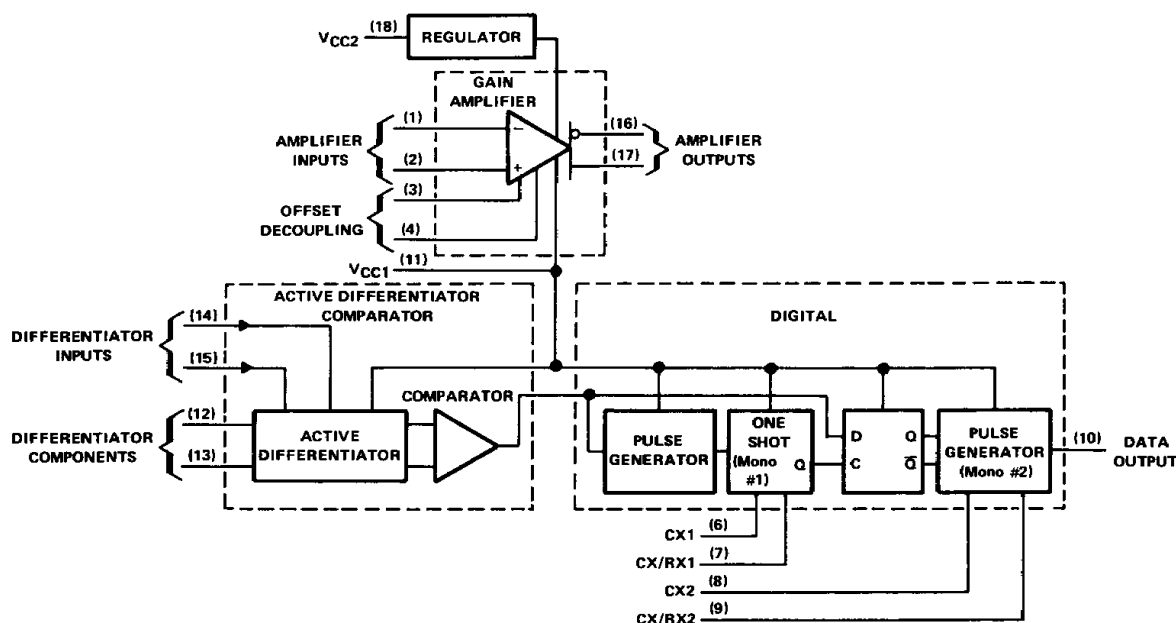
The MC3470 and MC3470A are monolithic read-amplifier systems each containing all the active circuitry necessary for obtaining digital information from floppy disk storage. They are designed to accept the ac differential signal from the magnetic head and produce a digital output pulse corresponding to each peak of the input signal. The gain stage amplifies the input waveform and applies it to an external filter network, enabling the active differentiator and time domain filter to produce the desired output.

The MC3470 and MC3470A are characterized for operation from 0°C to 70°C.

N DUAL-IN-LINE PACKAGE
(TOP VIEW)

AMPLIFIER	1	18	V _{CC2}
INPUTS	2	17	AMPLIFIER
OFFSET	3	16	OUTPUTS
DECOUPLING	4	15	DIFFERENTIATOR
GND	5	14	INPUTS
CX1	6	13	DIFFERENTIATOR
CX/RX1	7	12	COMPONENTS
CX2	8	11	V _{CC1}
CX/RX2	9	10	DATA OUTPUT

functional block diagram



4

Special Functions

PRODUCTION DATA documents contain information current as of publication date. Products conform to specifications per the terms of Texas Instruments standard warranty. Production processing does not necessarily include testing of all parameters.

TEXAS
INSTRUMENTS

POST OFFICE BOX 655012 • DALLAS, TEXAS 75265

Copyright © 1983, Texas Instruments Incorporated

4-29

MC3470, MC3470A FLOPPY DISK READ-AMPLIFIER SYSTEMS

absolute maximum ratings over operating temperature range (unless otherwise noted)

Supply voltage, V_{CC1} (see Note 1)	7 V
Supply voltage, V_{CC2}	16 V
Input voltage range (amplifier inputs)	-0.2 V to 7 V
Output voltage, V_O (data output)	-0.2 V to 7 V
Operating free-air temperature range	0°C to 70°C
Storage temperature range	-65°C to 150°C

NOTE 1: All voltage values are with respect to network ground terminal.

recommended operating conditions

	MIN	NOM	MAX	UNIT	
Supply voltage V_{CC1}	4.75	5	5.25	V	
Supply voltage V_{CC2}	10	12	14	V	
Timing capacitor CX1 (see Note 2)	150		680	pF	
Timing capacitor CX2	100		800	pF	
Timing resistors RX1 and RX2	1.5		10	k Ω	
Timing of digital section	Monostable no. 1		500	4000	ns
	Monostable no. 2		150	1000	
Operating free-air temperature, T_A	0		70	°C	

NOTE 2: To minimize current transients, CX1 should be kept as small as convenient.

4

Special Functions

MC3470, MC3470A
FLOPPY DISK READ-AMPLIFIER SYSTEMS

electrical characteristics over recommended ranges of supply voltages and operating free-air temperature (unless otherwise noted)

gain amplifier section

PARAMETER		TEST CONDITIONS	MIN	TYP†	MAX	UNIT
A _{VD}	Differential voltage amplification	V _{id} = 5 mV rms, f = 200 kHz	80	100	120	V/V
			100	110	130	
I _B	Input bias current			-10	-25	μA
V _{ICR}	Common-mode input voltage range	THD ≤ 5%	-0.1 to 1.5			V
V _{IDR}	Differential input voltage range	THD ≤ 5%	±25			mV
V _{OPP}	Peak-to-peak differential output voltage		3	4		V
V _{OC}	Common-mode output voltage	V _I = 0, V _{ID} = 0		3		V
V _{OD}	Differential output offset voltage	V _I = 0, V _{ID} = 0, T _A = 25°C			0.4	V
I _{OS}	Short-circuit output current (each amplifier output)	Output shorted to ground		-8		mA
		Output shorted to V _{CC1}	2.8	4		
r _i	Small-signal input resistance	T _A = 25°C	100	250		kΩ
r _o	Small-signal output resistance (single-ended)	V _{CC1} = 5 V, V _{CC2} = 12 V, T _A = 25°C		15		Ω
BW	Bandwidth (3 dB)	V _{id} = 2 mV rms, V _{CC1} = 5 V, V _{CC2} = 12 V, T _A = 25°C		5		MHz
CMRR	Common-mode rejection ratio	V _{CC1} = 5 V, V _{CC2} = 12 V, A _{VD} = 40 dB, f = 100 kHz, T _A = 25°C		50		dB
k _{SVR}	Supply voltage rejection ratio	A _{VD} = 40 dB, T _A = 25°C	V _{CC1} = 5 ± 0.25 V, V _{CC2} = 12 V		50	dB
			V _{CC1} = 5 V, V _{CC2} = 12 ± 2 V		60	
V _n	Equivalent input noise voltage	BW = 10 Hz to 1 MHz, T _A = 25°C		15		μV

†All typical values are at V_{CC1} = 5 V, V_{CC2} = 12 V, T_A = 25°C.

4

Special Functions

MC3470, MC3470A FLOPPY DISK READ-AMPLIFIER SYSTEMS

active-differentiator section

PARAMETER		TEST CONDITIONS		MIN	TYP†	MAX	UNIT
I_{sink}	Sink current at pins 12 and 13	$V_{\text{OD}} = V_{\text{CC1}}$		1	1.4		mA
Peak shift	MC3470	$V_{\text{CC1}} = 5 \text{ V}$,	$V_{\text{CC2}} = 12 \text{ V}$,			5%	
	MC3470A	$V_{\text{IDPP}} = 1 \text{ V}$,	$f = 250 \text{ kHz}$,			2%	
r_{id}	Differential input resistance	$I_{\text{cap}} = 500 \mu\text{A}$, See Figure 1		30			k Ω
r_{od}	Differential output resistance			40			Ω

digital section

PARAMETER		TEST CONDITIONS		MIN	TYP†	MAX	UNIT
V_{OH}	High-level output voltage (pin 10)	$V_{\text{CC1}} = 4.75 \text{ V}$,	$V_{\text{CC2}} = 12 \text{ V}$,	2.7			V
V_{OL}	Low-level output voltage (pin 10)	$I_{\text{OH}} = -0.4 \text{ mA}$				0.5	V
I_{CC1}	Supply current from V_{CC1}	$V_{\text{CC1}} = 4.75 \text{ V}$,	$V_{\text{CC2}} = 12 \text{ V}$,		35	50	mA
I_{CC2}	Supply current from V_{CC2}	$I_{\text{OL}} = 8 \text{ mA}$			4.5	10	mA
		$V_{\text{CC1}} = 5.25 \text{ V}$					
		$V_{\text{CC2}} = 14 \text{ V}$					

timing characteristics over recommended ranges of supply voltages and operating free-air temperature (unless otherwise noted) (see Figure 2)

PARAMETER		TEST CONDITIONS		MIN	TYP†	MAX	UNIT
t_r	Rise time (pin 10)					20	ns
t_f	Fall time (pin 10)					25	ns
	Timing accuracy of monostable no. 1 compared to $0.625 \text{ RX1} \cdot \text{CX1} + 200 \text{ ns}$	RX1 = 1.5 k Ω to 10 k Ω , CX1 = 150 pF to 680 pF		85%		115%	
	Timing accuracy of monostable no. 2 compared to $0.625 \text{ RX2} \cdot \text{CX2}$	RX2 = 1.5 k Ω to 10 k Ω , CX2 = 100 pF to 800 pF		85%		115%	

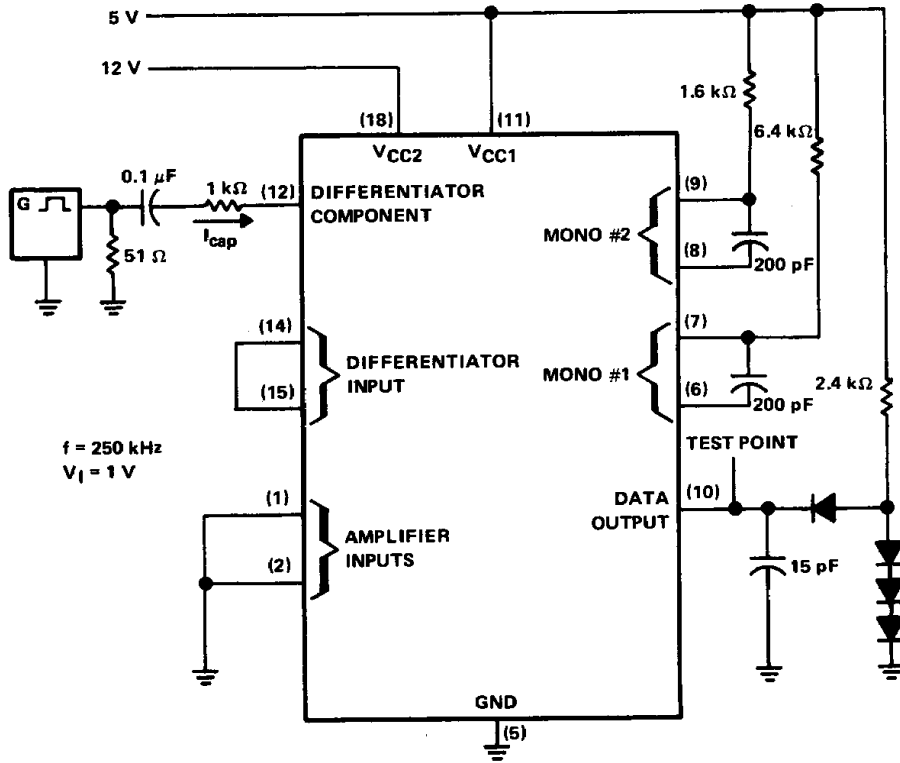
†All typical values are at $V_{\text{CC1}} = 5 \text{ V}$, $V_{\text{CC2}} = 12 \text{ V}$, $T_A = 25^\circ\text{C}$.

4

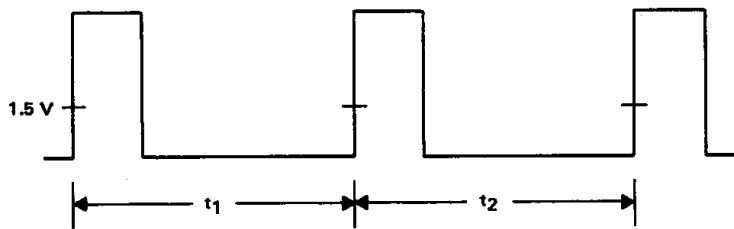
Special Functions

MC3470, MC3470A
FLOPPY DISK READ-AMPLIFIER SYSTEMS

PARAMETER MEASUREMENT INFORMATION



TEST CIRCUIT



$$\text{Peak shift} = \frac{(t_1 - t_2)}{2(t_1 + t_2)} \times 100\%$$

VOLTAGE WAVEFORMS

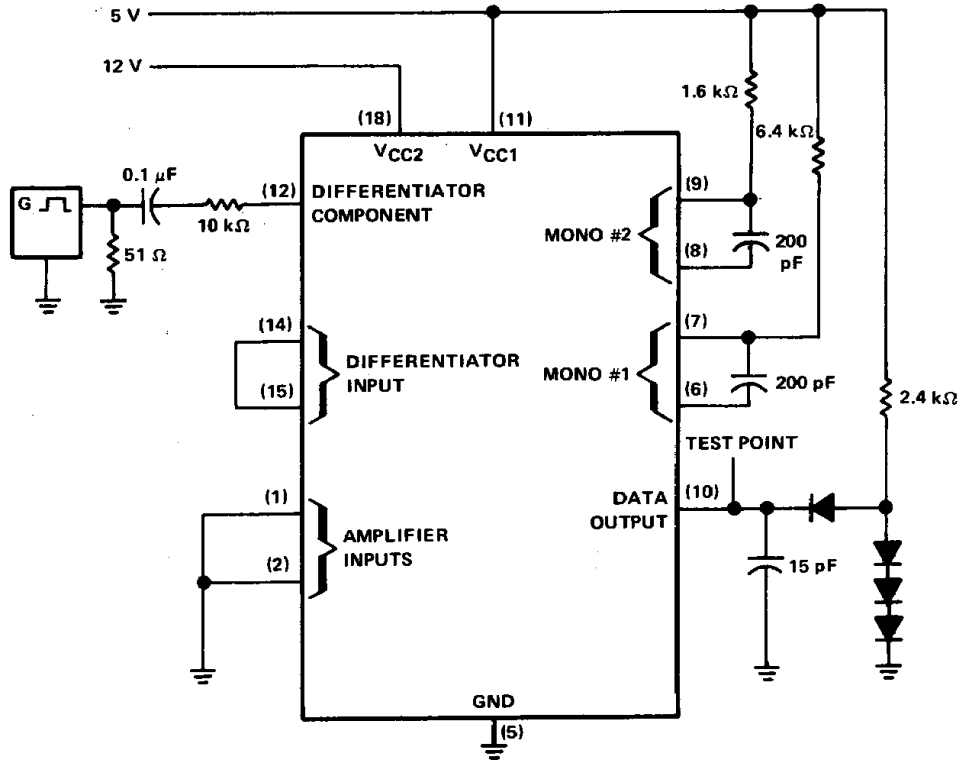
FIGURE 1. PEAK SHIFT

4

Special Functions

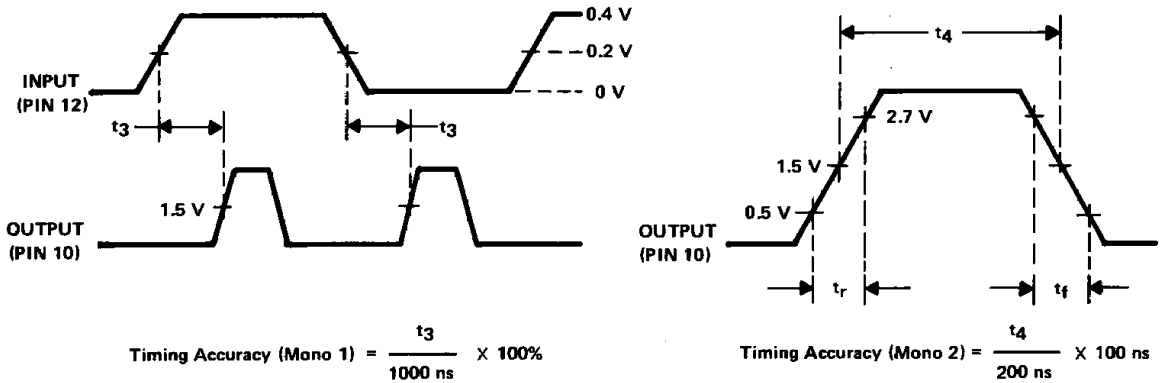
**MC3470, MC3470A
FLOPPY DISK READ-AMPLIFIER SYSTEMS**

PARAMETER MEASUREMENT INFORMATION



TEST CIRCUIT

**4
Special Functions**



VOLTAGE WAVEFORMS

FIGURE 2. TIMING ACCURACY

**MC3470, MC3470A
FLOPPY DISK READ-AMPLIFIER SYSTEMS**

TYPICAL CHARACTERISTICS

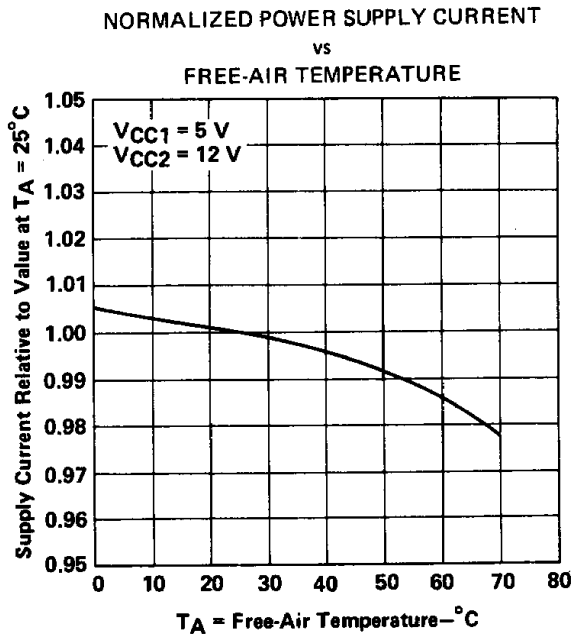


FIGURE 3

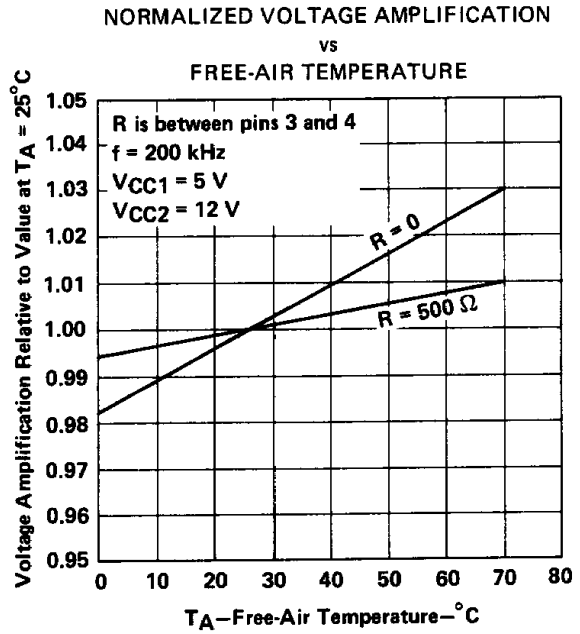


FIGURE 4

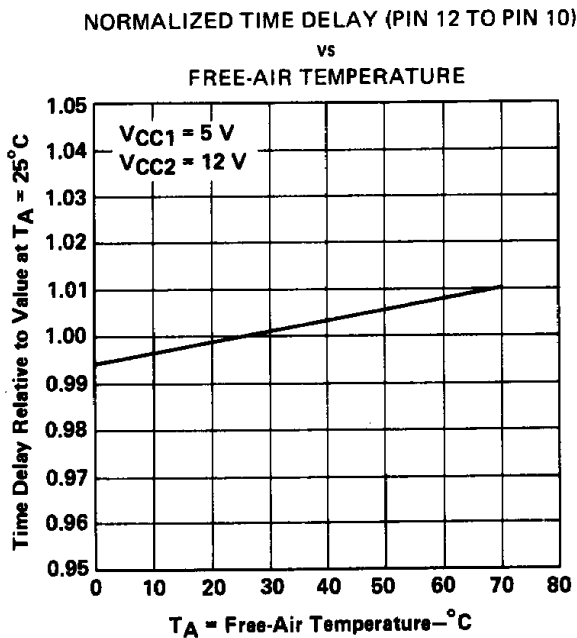


FIGURE 5

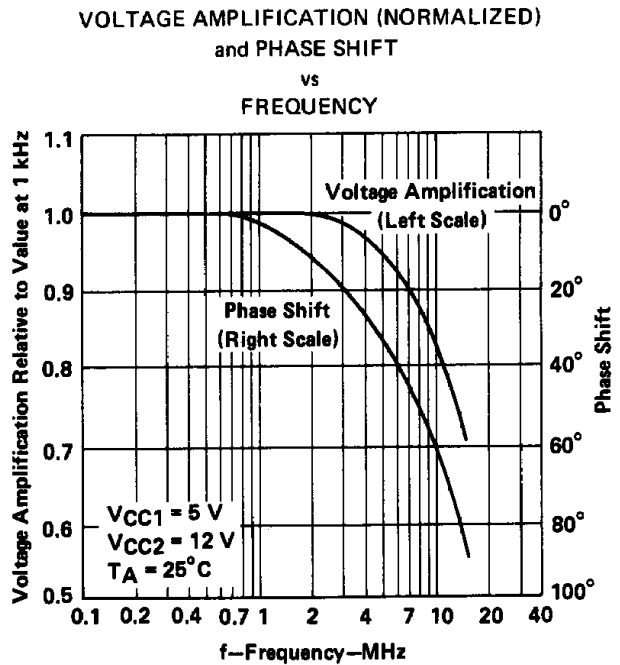


FIGURE 6

4

Special Functions

**MC3470, MC3470A
FLOPPY DISK READ-AMPLIFIER SYSTEMS**

TYPICAL APPLICATION INFORMATION

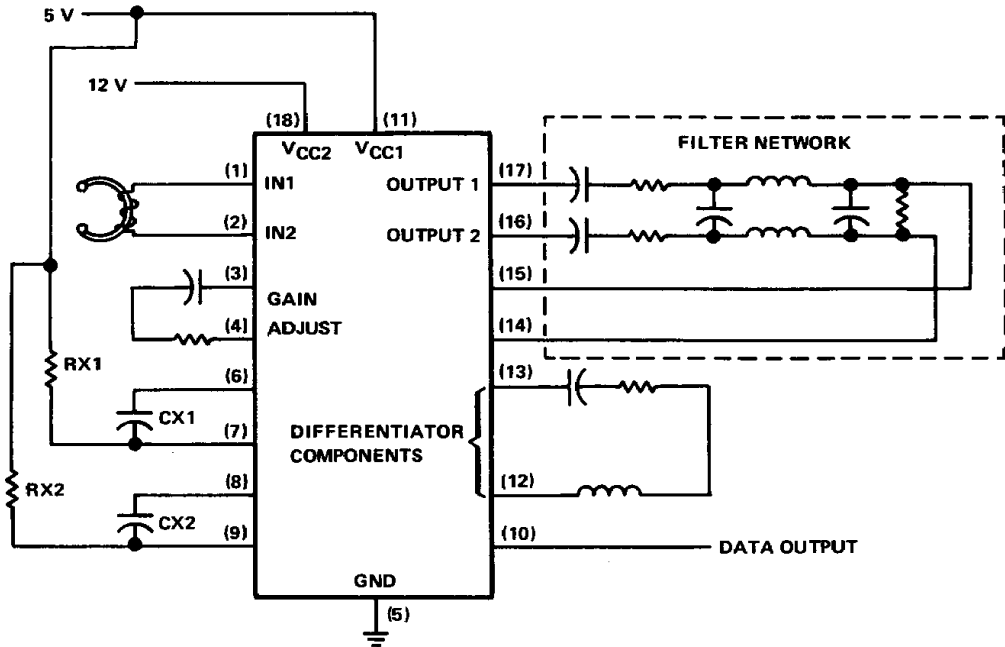


FIGURE 7

4

Special Functions