

Silicon NPN Power Transistors

2SD1415

DESCRIPTION

- With TO-220Fa package
- High DC current gain
- Low saturation voltage
- Complement to type 2SB1020
- DARLINGTON

APPLICATIONS

- High power switching applications
- Hammer drive,pulse motor drive applications

PINNING

| PIN | DESCRIPTION |
|-----|-------------|
| 1 | Base |
| 2 | Collector |
| 3 | Emitter |

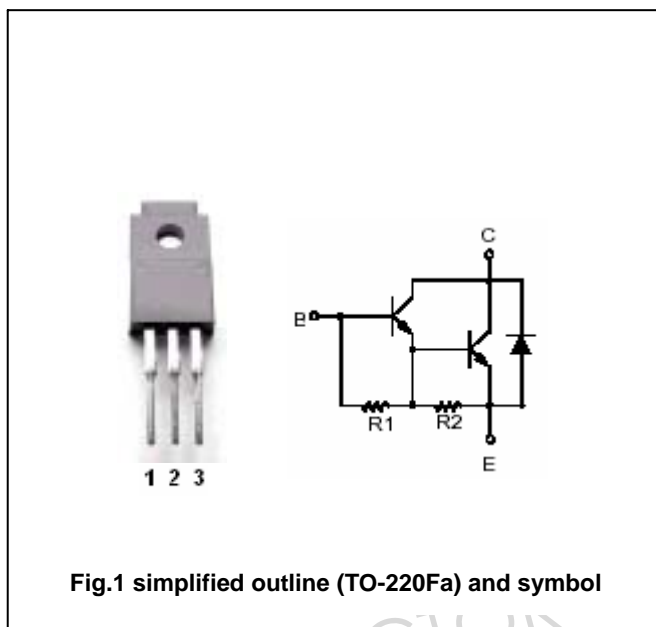


Fig.1 simplified outline (TO-220Fa) and symbol

Absolute maximum ratings(Ta=25)

| SYMBOL | PARAMETER | CONDITIONS | VALUE | UNIT |
|------------------|-----------------------------|--------------------|---------|------|
| V _{CBO} | Collector-base voltage | Open emitter | 100 | V |
| V _{CEO} | Collector -emitter voltage | Open base | 100 | V |
| V _{EBO} | Emitter-base voltage | Open collector | 5 | V |
| I _C | Collector current | | 7 | A |
| I _B | Base current | | 0.2 | A |
| P _C | Collector power dissipation | T _C =25 | 30 | W |
| T _j | Junction temperature | | 150 | |
| T _{stg} | Storage temperature | | -55~150 | |

Silicon NPN Power Transistors

2SD1415

CHARACTERISTICS

T_j=25 unless otherwise specified

| SYMBOL | PARAMETER | CONDITIONS | MIN | TYP. | MAX | UNIT |
|----------------------|--------------------------------------|------------------------------------------|------|------|-------|------|
| V _{(BR)CEO} | Collector-emitter breakdown voltage | I _C =50mA; I _B =0 | 100 | | | V |
| V _{CEsat-1} | Collector-emitter saturation voltage | I _C =3A; I _B =6mA | | 0.9 | 1.5 | V |
| V _{CEsat-2} | Collector-emitter saturation voltage | I _C =7A; I _B =14mA | | 1.2 | 2.0 | V |
| V _{BEsat} | Base-emitter saturation voltage | I _C =3A; I _B =6mA | | 1.5 | 2.5 | V |
| I _{CBO} | Collector cut-off current | V _{CB} =100V; I _E =0 | | | 100 | μA |
| I _{EBO} | Emitter cut-off current | V _{EB} =5V; I _C =0 | | | 3.0 | mA |
| h _{FE-1} | DC current gain | I _C =3A; V _{CE} =3V | 2000 | | 15000 | |
| h _{FE-2} | DC current gain | I _C =7A; V _{CE} =3V | 1000 | | | |

Switching times

| | | | | | | |
|------------------|--------------|------------------------------------------------------------------------------------|--|-----|--|----|
| t _{on} | Turn-on time | I _{B1} =-I _{B2} =6mA V _{CC} =45V, R _L =15 | | 0.8 | | μs |
| t _{stg} | Storage time | | | 3.0 | | μs |
| t _f | Fall time | | | 2.5 | | μs |

PACKAGE OUTLINE

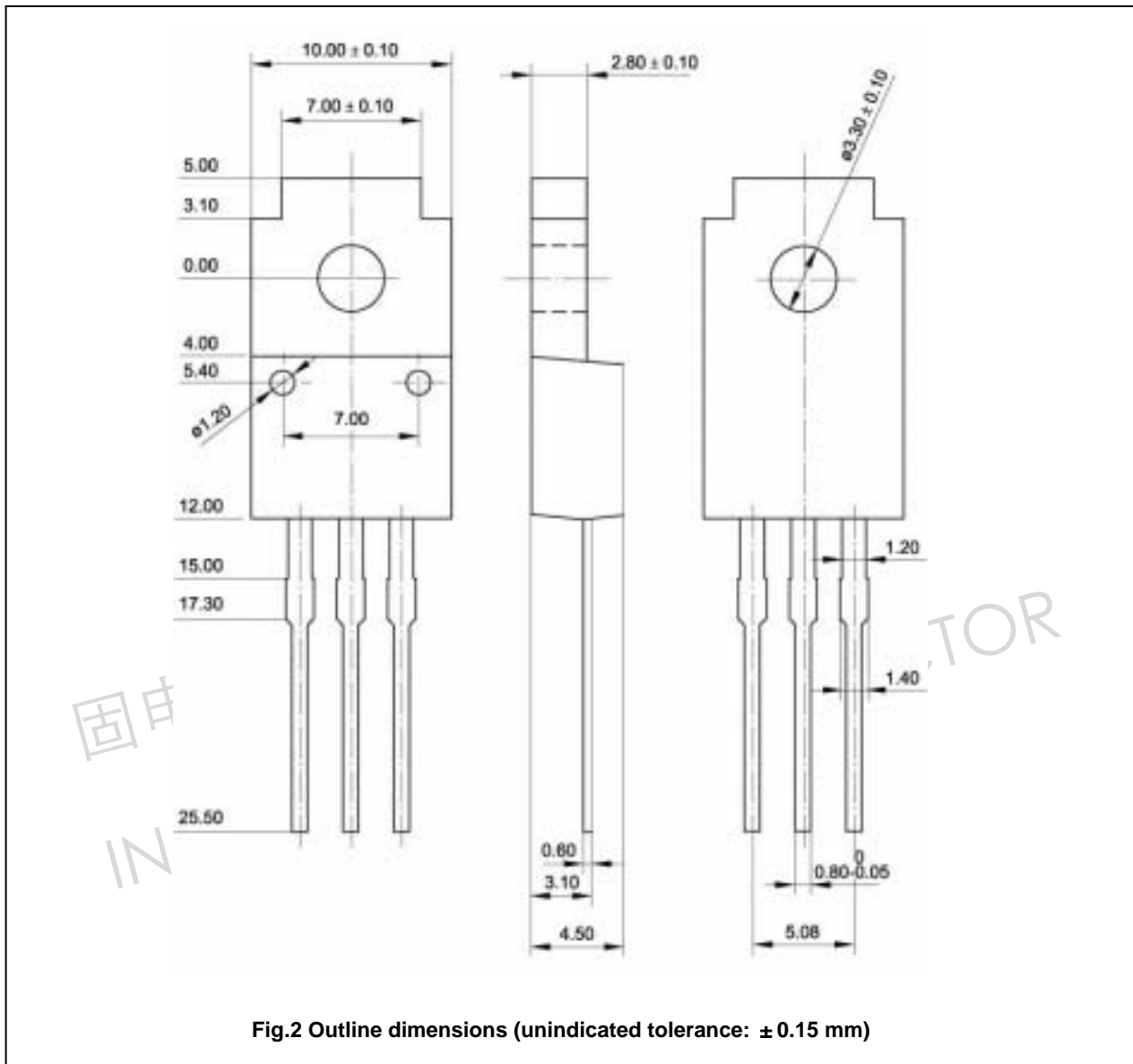


Fig.2 Outline dimensions (unindicated tolerance: ± 0.15 mm)