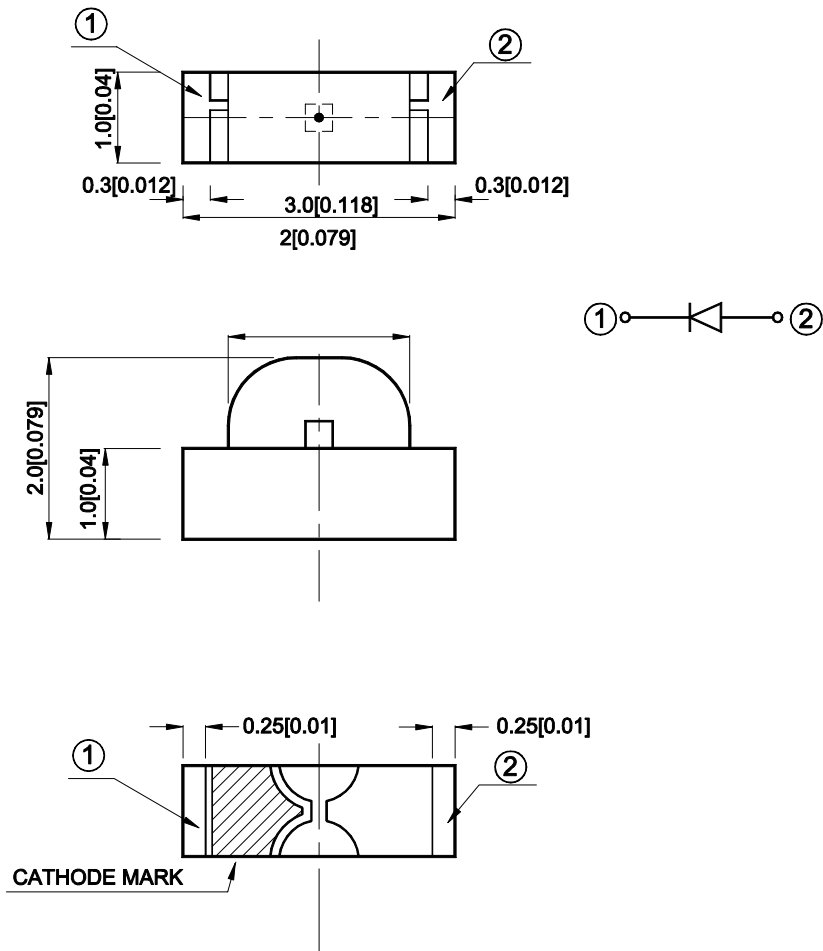


3.0X1.0mm(1104) RIGHT ANGLE SMD CHIP LED



UNIT : MM[INCH]

TOLERANCE : ± 0.15[± 0.006] UNLESS OTHERWISE NOTED

Selection Guide

Part No.	Dice	Lens Type	Iv (mcd) @20mA		Viewing Angle
			Min.	Typ.	2θ 1/2
KPA-3010SYC	SUPER BRIGHT YELLOW (InGaAlP)	WATER CLEAR	40	60	120°

APPROVED:

J. Lu.

CHECKED:

J.Chao

DRAWN :

L.N. Sheu

SCALE :

10 : 1

DATA NO. : F9561

V.1

DATE : NOV/02/2000