



# TELEFUNKEN electronic

Creative Technologien

## TV and VTR – PLL

U 6202 B-C · U 6202 B-CFP · U 6204 B-C · U 6204 B-CFP · PLL tuning circuits with 1.3 GHz prescaler

Supply voltage range	Pin 14	$V_S$	4.5 ... 5.5	V
Supply current	Pin 14	$I_S$	55	mA
Input sensitivity	Pin 15	$V_i$	10	mV
Large signal compatibility	Pin 15	$V_i$	315	mV

### Features:

- Max. input frequency 1.3 GHz
- Fine tuning steps 62.5 kHz
- 15 Bit programmable counter
- Reference oscillator with 4 MHz crystal
- Microcomputer controlled via I<sup>2</sup>C Bus
- Electrostatic protection according to MIL-STD 883C

### Differences:

U 6202 B-C · U 6202 B-CFP:

- 8 switching outputs

U 6204 B-C · U 6204 B-CFP

- 7 switching outputs
- 4 addresses selectable via pin 10 (12)

### Case:

DIP 18 (U 6202 B-C, U 6204 B-C)

Dimensions see page 106

Number 8

or

SO 20 (U 6202 B-CFP, U 6204 B-CFP)

Dimensions see page 109

Number 20

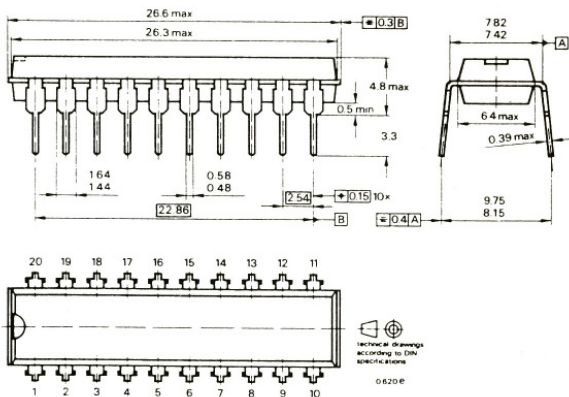
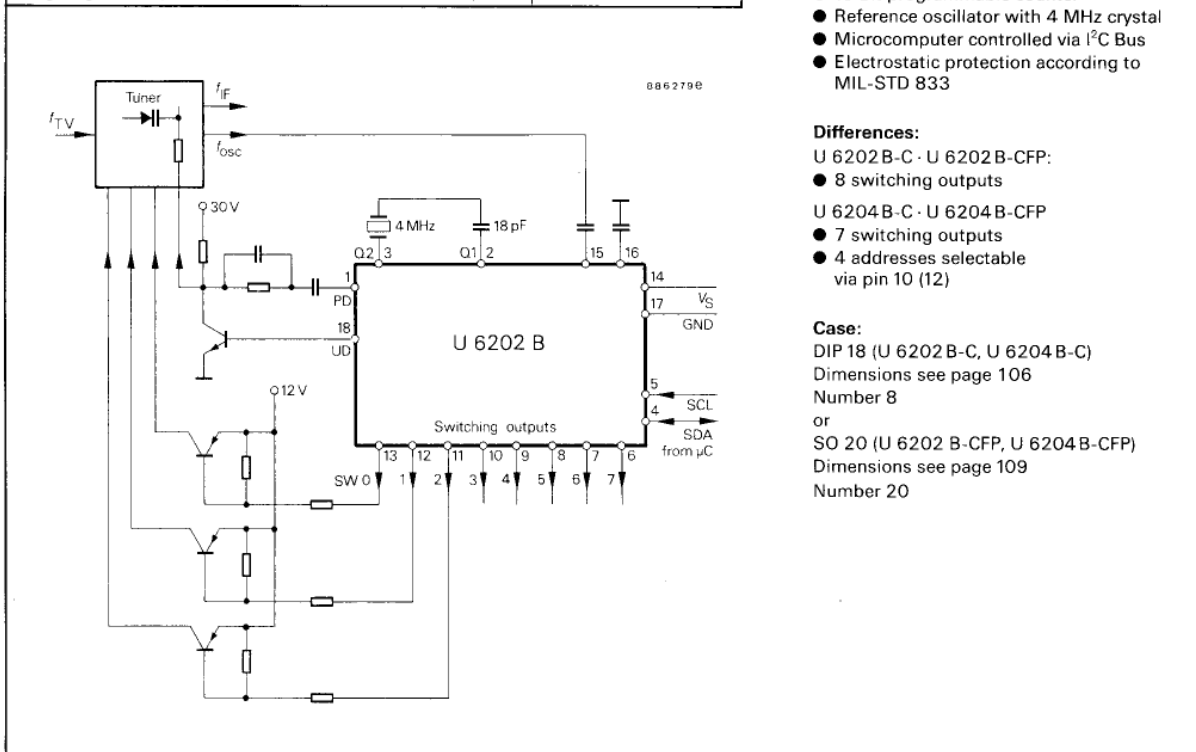


Fig. 9 DIP 20

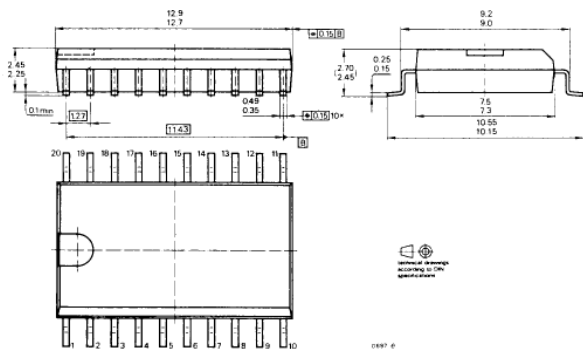


Fig. 20 SO 20