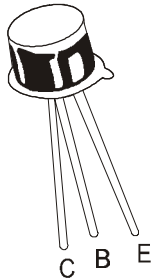


**SILICON PLANAR TRANSISTORS**

**BC393 PNP**  
**BC394 NPN**

**TO-18**  
**Metal Can Package**



**High Voltage Transistors**

**ABSOLUTE MAXIMUM RATINGS**

DESCRIPTION	SYMBOL	BC393	BC394	UNIT
Collector Emitter Voltage	$V_{CEO}$	180	180	V
Collector Base Voltage	$V_{CBO}$	180	180	V
Emitter Base Voltage	$V_{EBO}$	6		V
Collector Current Continuous	$I_C$	0.50		A
Power Dissipation @ $T_a=25^\circ\text{C}$	$P_D$	0.40		W
Derate Above $25^\circ\text{C}$		2.27		mW/ $^\circ\text{C}$
Power Dissipation @ $T_c=25^\circ\text{C}$	$P_D$	1.40		W
Derate Above $25^\circ\text{C}$		8.00		mW/ $^\circ\text{C}$
Operating and Storage Junction Temperature Range	$T_j, T_{stg}$	- 65 to +200		$^\circ\text{C}$

**THERMAL CHARACTERISTICS**

Junction to Ambient in free air	$R_{th(j-a)}$	440	$^\circ\text{C/W}$
Junction to Case	$R_{th(j-c)}$	125	$^\circ\text{C/W}$

**ELECTRICAL CHARACTERISTICS ( $T_a=25^\circ\text{C}$  unless specified otherwise )**

DESCRIPTION	SYMBOL	TEST CONDITION	MIN	TYP	MAX	UNIT
Collector Emitter Voltage	$V_{CEO}$	$I_C=10\text{mA}, I_B=0$	180			V
Collector Base Voltage	$V_{CBO}$	$I_C=100\mu\text{A}, I_E=0$	180			V
Emitter Base Voltage	$V_{EBO}$	$I_E=100\mu\text{A}, I_C=0$	6			V
Collector Cut off Current	$I_{CBO}$	$V_{CB}=100\text{V}, I_E=0$			50	nA
Collector Cut off Current	$I_{CEO}$	$V_{CE}=100\text{V}, I_B=0, T_a=150^\circ\text{C}$			50	$\mu\text{A}$
DC Current Gain	$*h_{FE}$	$I_C=10\text{mA}, V_{CE}=10\text{V}$	50			
Collector Emitter Saturation Voltage	$*V_{CE(sat)}$	$I_C=10\text{mA}, I_B=1\text{mA}$			0.3	V
Base Emitter Saturation Voltage	$*V_{BE(sat)}$	$I_C=10\text{mA}, I_B=1\text{mA}$			0.9	V

\*Pulse Test: Pulse width=300ms, Duty cycle = 2%

**DYNAMIC CHARACTERISTICS**

DESCRIPTION	SYMBOL	TEST CONDITION	MIN	TYP	MAX	UNIT
Transition frequency	$f_T$	$I_C=20\text{mA}, V_{CE}=20\text{V}, f=20\text{MHz}$	50		200	MHz
Output Capacitance	$C_{ob}$	$V_{CB}=20\text{V}, I_E=0, f=1\text{MHz}$			7	pF
Input Capacitance	$C_{ib}$	$V_{EB}=0.5\text{V}, I_C=0, f=1\text{MHz}$		75		pF

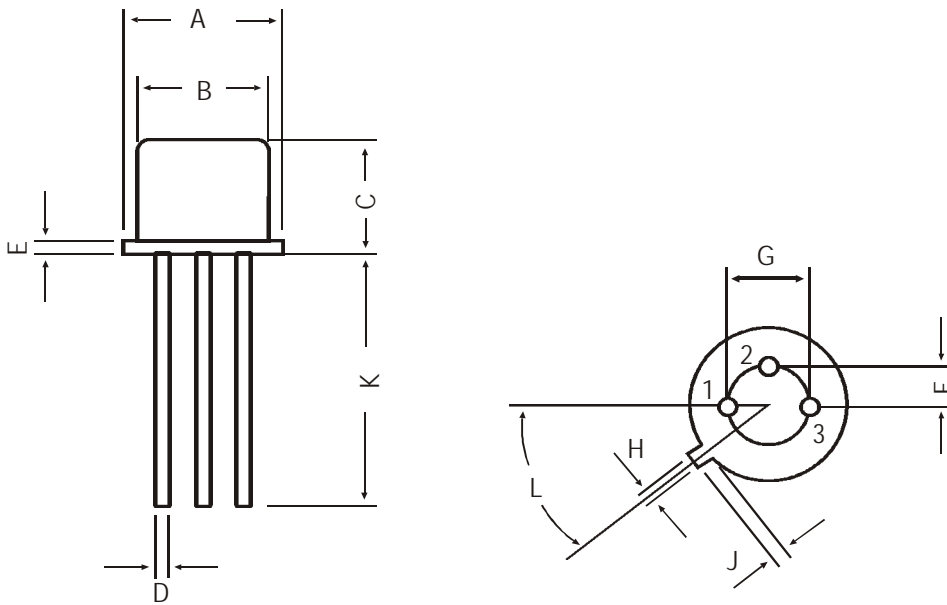
**SWITCHING TIMES**

DESCRIPTION	SYMBOL	TEST CONDITION	MIN	TYP	MAX	UNIT
Turn on Time	$t_{on}$	$I_C=50\text{mA}, I_{B1}=10\text{mA}, V_{CC}=100\text{V}$		100		ns
Turn off Time	$t_{off}$	$I_C=50\text{mA}, I_{B2}=10\text{mA}, V_{CC}=100\text{V}$		400		ns

**BC393 PNP**  
**BC394 NPN**

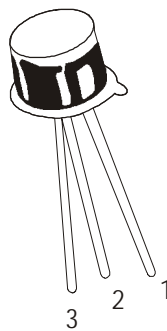
**TO-18**  
**Metal Can Package**

**TO-18 Metal Can Package**



All dimensions in mm.

DIM	MIN	MAX
A	5.24	5.84
B	4.52	4.97
C	4.31	5.33
D	0.40	0.53
E	—	0.76
F	—	1.27
G	—	2.97
H	0.91	1.17
J	0.71	1.21
K	12.70	—
L	45 DEG	



**PIN CONFIGURATION**

1. EMITTER
2. BASE
3. COLLECTOR

**Packing Details**

PACKAGE	STANDARD PACK		INNER CARTON BOX		OUTER CARTON BOX		
	Details	Net Weight/Qty	Size	Qty	Size	Qty	Gr Wt
TO-18	1K/polybag	350 gm/1K pcs	3" x 7.5" x 7.5"	5K	17" x 15" x 13.5"	80K	34 kgs

### **Disclaimer**

The product information and the selection guides facilitate selection of the CDIL's Discrete Semiconductor Device(s) best suited for application in your product(s) as per your requirement. It is recommended that you completely review our Data Sheet(s) so as to confirm that the Device(s) meet functionality parameters for your application. The information furnished in the Data Sheet and on the CDIL Web Site/CD are believed to be accurate and reliable. CDIL however, does not assume responsibility for inaccuracies or incomplete information. Furthermore, CDIL does not assume liability whatsoever, arising out of the application or use of any CDIL product; neither does it convey any license under its patent rights nor rights of others. These products are not designed for use in life saving/support appliances or systems. CDIL customers selling these products (either as individual Discrete Semiconductor Devices or incorporated in their end products), in any life saving/support appliances or systems or applications do so at their own risk and CDIL will not be responsible for any damages resulting from such sale(s).

CDIL strives for continuous improvement and reserves the right to change the specifications of its products without prior notice.



CDIL is a registered Trademark of  
Continental Device India Limited

C-120 Naraina Industrial Area, New Delhi 110 028, India.  
Telephone + 91-11-2579 6150 Fax + 91-11-2579 9569, 2579 5290  
e-mail sales@cdil.com www.cdil.com www.cdilsemi.com